

## Pressure Boosting System FVHS & FHHS (GAD / Details)

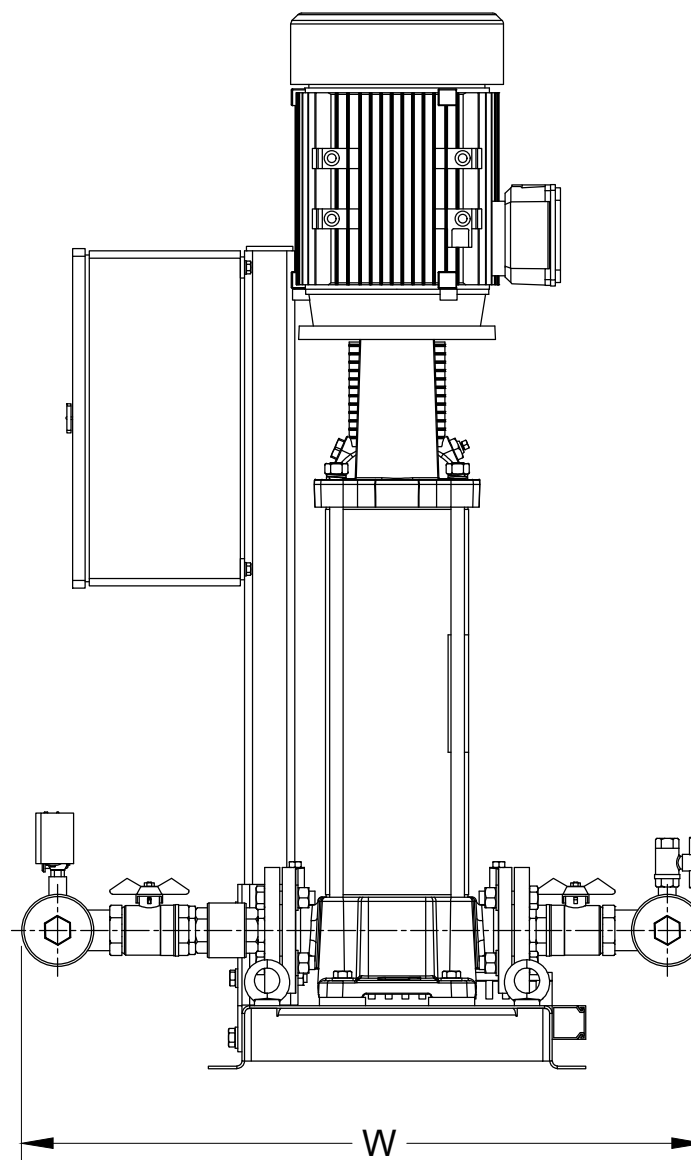
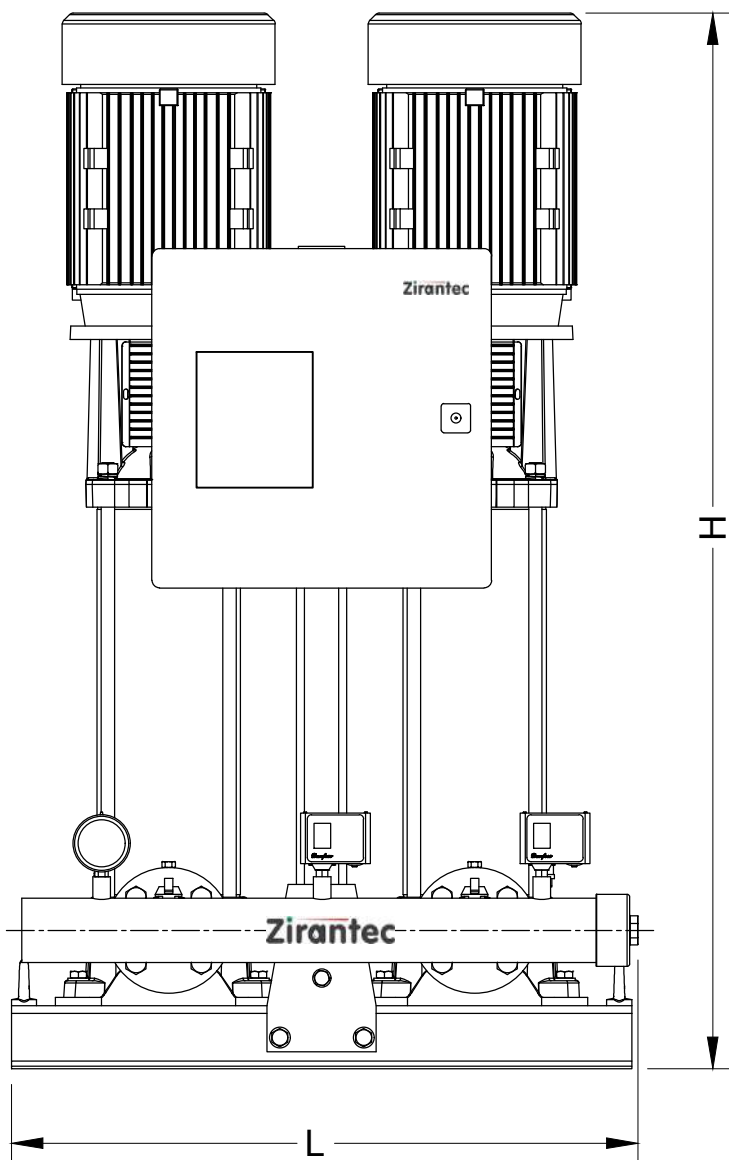
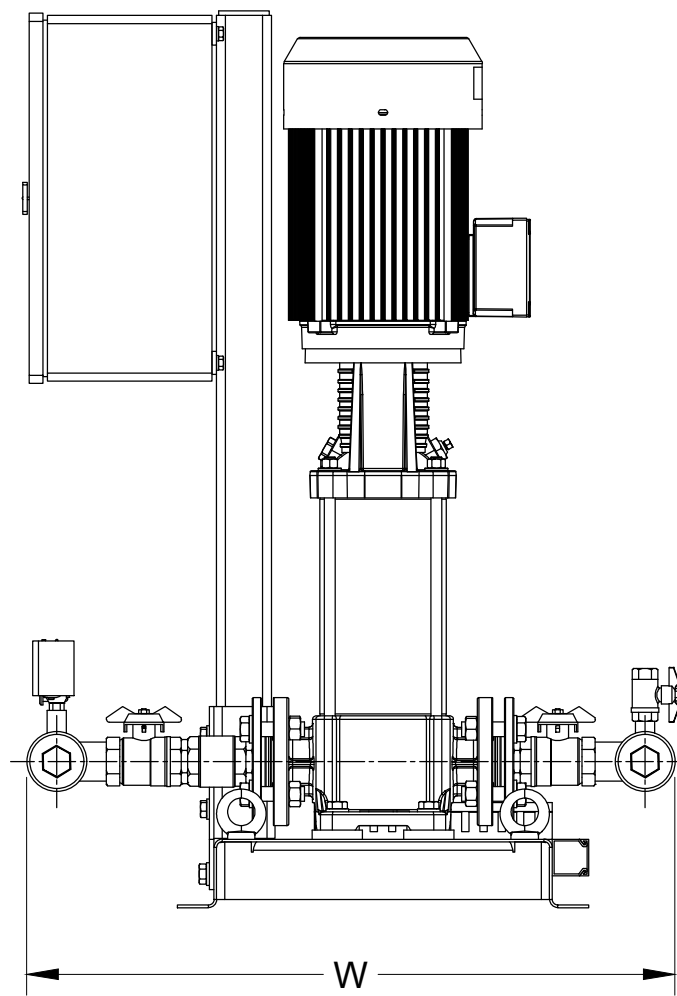
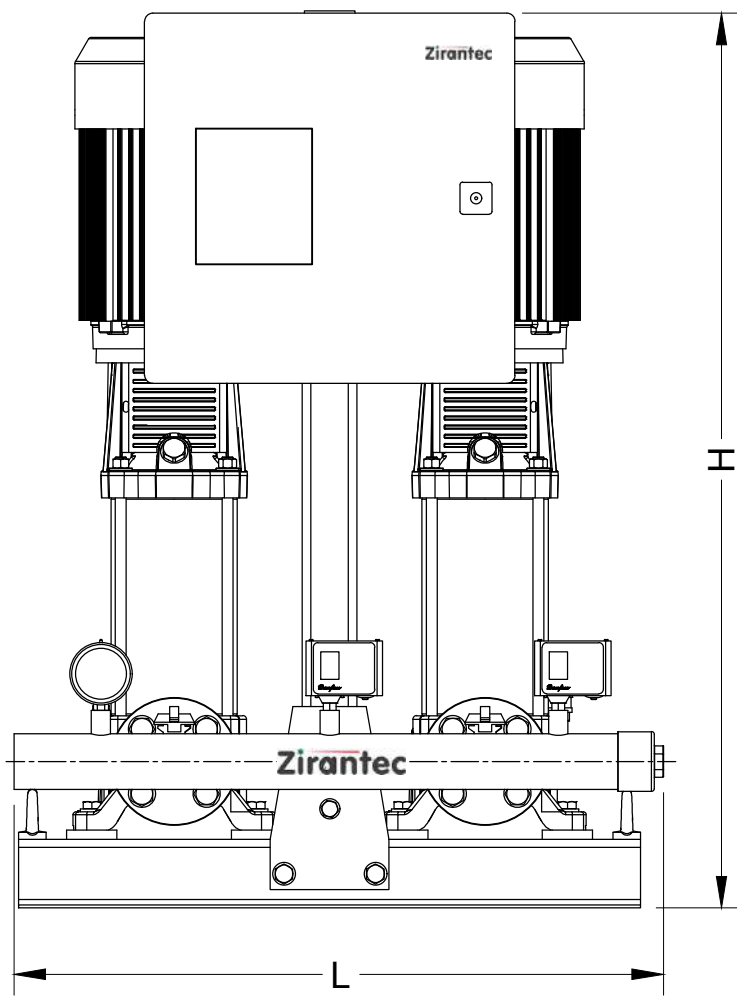


# PRESSURE BOOSTING SYSTEM (FVHS - E SERIES)

## SYSTEM OVER ALL DIMENSIONS

# Zirantec

SYSTEM MODEL:- FVS 1-10m<sup>3</sup>/hr(2 PUMPS)



**NOTE:-**

1. PRODUCT PICTURE MAY DIFFER FROM ACTUAL PRODUCT
2. PUMP DIMENSION REFER IN PUMP CATALOG

In view of continuous developments, The Information / Specifications / Descriptions / Illustrations are subject to change without notice.

**PRESSURE BOOSTING SYSTEM (FVHS - E SERIES)**

**SYSTEM OVER ALL DIMENSIONS**



**SYSTEM MODEL:- FVS 1-3m<sup>3</sup>/hr(2 PUMPS)**

PUMP MODEL	MOTOR POWER		S/D Manifold Pipe size in inches	DIMENSION IN mm			SYSTEM TYPE
	KW	HP		L	W	H	
FVHS-1/02TR	0.37	0.5	2"	710	710	981	*
FVHS-1/03TR	0.37	0.5		710	710	981	*
FVHS-1/04TR	0.37	0.5		710	710	981	*
FVHS-1/05TR	0.37	0.5		710	710	981	*
FVHS-1/06TR	0.37	0.5		710	710	981	*
FVHS-1/07TR	0.37	0.5		710	710	981	*
FVHS-1/08TR	0.55	0.75		710	710	981	*
FVHS-1/09TR	0.55	0.75		710	710	981	*
FVHS-1/10TR	0.55	0.75		710	710	981	*
FVHS-1/11TR	0.55	0.75		710	710	981	*
FVHS-1/12TR	0.75	1		710	710	981	*
FVHS-1/13TR	0.75	1		710	710	981	*
FVHS-1/15TR	0.75	1		710	710	981	*
FVHS-1/17TR	1.1	1.5		710	710	981	*
FVHS-1/19TR	1.1	1.5		710	710	981	*
FVHS-1/21TR	1.1	1.5		710	710	981	*
FVHS-1/23TR	1.1	1.5		710	710	1000	**
FVHS-1/25TR	1.5	2		710	710	1085	**
FVHS-1/27TR	1.5	2		710	710	1121	**
FVHS-1/30TR	1.5	2		710	710	1175	**
FVHS-1/33TR	2.2	3		710	710	1229	**
FVHS-1/36TR	2.2	3		710	710	1283	**
FVHS-2/02TR	0.37	0.5		710	710	981	*
FVHS-2/03TR	0.37	0.5		710	710	981	*
FVHS-2/04TR	0.55	0.75		710	710	981	*
FVHS-2/05TR	0.55	0.75		710	710	981	*
FVHS-2/06TR	0.75	1		710	710	981	*
FVHS-2/07TR	0.75	1		710	710	981	*
FVHS-2/09TR	1.1	1.5		710	710	981	*
FVHS-2/11TR	1.1	1.5		710	710	981	*
FVHS-2/13TR	1.5	2		710	710	981	*
FVHS-2/15TR	1.5	2		710	710	981	*
FVHS-2/18TR	2.2	3		710	710	981	*
FVHS-2/22TR	2.2	3		710	710	1031	**
FVHS-2/26TR	3	4		710	710	1128	**
FVHS-3/02TR	0.37	0.5		710	710	981	*
FVHS-3/03TR	0.37	0.5	710	710	981	*	
FVHS-3/04TR	0.37	0.5	710	710	981	*	
FVHS-3/05TR	0.37	0.5	710	710	981	*	
FVHS-3/06TR	0.55	0.75	710	710	981	*	
FVHS-3/07TR	0.55	0.75	710	710	981	*	
FVHS-3/08TR	0.75	1	710	710	981	*	
FVHS-3/09TR	0.75	1	710	710	981	*	
FVHS-3/10TR	0.75	1	710	710	981	*	
FVHS-3/11TR	1.1	1.5	710	710	981	*	
FVHS-3/12TR	1.1	1.5	710	710	981	*	
FVHS-3/13TR	1.1	1.5	710	710	981	*	
FVHS-3/15TR	1.1	1.5	710	710	981	*	
FVHS-3/17TR	1.5	2	710	710	981	*	
FVHS-3/19TR	1.5	2	710	710	981	*	
FVHS-3/21TR	2.2	3	710	710	1013	**	
FVHS-3/23TR	2.2	3	710	710	1049	**	
FVHS-3/25TR	2.2	3	710	710	1085	**	
FVHS-3/27TR	2.2	3	710	710	1121	**	
FVHS-3/29TR	2.2	3	710	710	1157	**	
FVHS-3/31TR	3	4	710	710	1218	**	
FVHS-3/33TR	3	4	710	710	1254	**	
FVHS-3/36TR	3	4	710	710	1308	**	

In view of continuous developments, The Information / Specifications / Descriptions / Illustrations are subject to change without notice.

**PRESSURE BOOSTING SYSTEM (FVHS - E SERIES)**

**SYSTEM OVER ALL DIMENSIONS**



**SYSTEM MODEL:- FVS 4-10m<sup>3</sup>/hr(2 PUMPS)**

PUMP MODEL	MOTOR POWER		S/D Manifold Pipe size in inches	DIMENSION IN mm			SYSTEM TYPE
	kW	HP		L	W	H	
FVHS-04/01TR	0.37	0.5	2"	710	710	981	*
FVHS-04/02TR	0.37	0.5		710	710	981	*
FVHS-04/03TR	0.55	0.75		710	710	981	*
FVHS-04/04TR	0.75	1		710	710	981	*
FVHS-04/05TR	1.1	1.5		710	710	981	*
FVHS-04/06TR	1.1	1.5		710	710	981	*
FVHS-04/07TR	1.5	2		710	710	981	*
FVHS-04/08TR	1.5	2		710	710	981	*
FVHS-04/10TR	2.2	3		710	710	981	*
FVHS-04/12TR	2.2	3		710	710	986	*
FVHS-04/14TR	3	4		710	710	1065	**
FVHS-04/16TR	3	4		710	710	1119	**
FVHS-04/19TR	4	5.5		710	710	1220	**
FVHS-04/22TR	4	5.5		710	710	1301	**
FVHS-05/02TR	0.37	0.5		710	710	981	*
FVHS-05/03TR	0.55	0.75		710	710	981	*
FVHS-05/04TR	0.55	0.75		710	710	981	*
FVHS-05/05TR	0.75	1		710	710	981	*
FVHS-05/06TR	1.1	1.5		710	710	981	*
FVHS-05/07TR	1.1	1.5		710	710	981	*
FVHS-05/08TR	1.1	1.5		710	710	981	*
FVHS-05/09TR	1.5	2		710	710	981	*
FVHS-05/10TR	1.5	2		710	710	981	*
FVHS-05/11TR	2.2	3		710	710	981	*
FVHS-05/12TR	2.2	3		710	710	981	*
FVHS-05/13TR	2.2	3		710	710	986	**
FVHS-05/14TR	2.2	3		710	710	1013	**
FVHS-05/15TR	2.2	3		710	710	1040	**
FVHS-05/16TR	2.2	3		710	710	1067	**
FVHS-05/18TR	3	4		710	710	1146	**
FVHS-05/20TR	3	4		710	710	1200	**
FVHS-05/22TR	4	5.5		710	710	1274	**
FVHS-05/24TR	4	5.5		710	710	1328	**
FVHS-05/26TR	4	5.5		710	710	1382	**
FVHS-05/29TR	4	5.5	710	710	1463	**	
FVHS-05/32TR	5.5	7.5	710	710	1680	**	
FVHS-05/36TR	5.5	7.5	710	710	1788	**	
FVHS-10/01TR	0.37	0.50	2 1/2 "	750	815	981	*
FVHS-10/02TR	0.75	1.00		750	815	981	*
FVHS-10/03TR	1.1	1.50		750	815	981	*
FVHS-10/04TR	1.5	2.00		750	815	981	*
FVHS-10/05TR	2.2	3.00		750	815	981	*
FVHS-10/06TR	2.2	3.00		750	815	981	*
FVHS-10/07TR	3	4.00		750	815	981	*
FVHS-10/08TR	3	4.00		750	815	981	*
FVHS-10/09TR	3	4.00		750	815	981	*
FVHS-10/10TR	4.0	5.50		750	815	1035	**
FVHS-10/12TR	4.0	5.50		750	815	1095	**
FVHS-10/14TR	5.5	7.50		750	815	1216	**
FVHS-10/16TR	5.5	7.50		750	815	1276	**
FVHS-10/18TR	7.5	10.00		750	815	1375	**
FVHS-10/20TR	7.5	10.00		750	815	1435	**
FVHS-10/22TR	7.5	10.00		750	815	1495	**

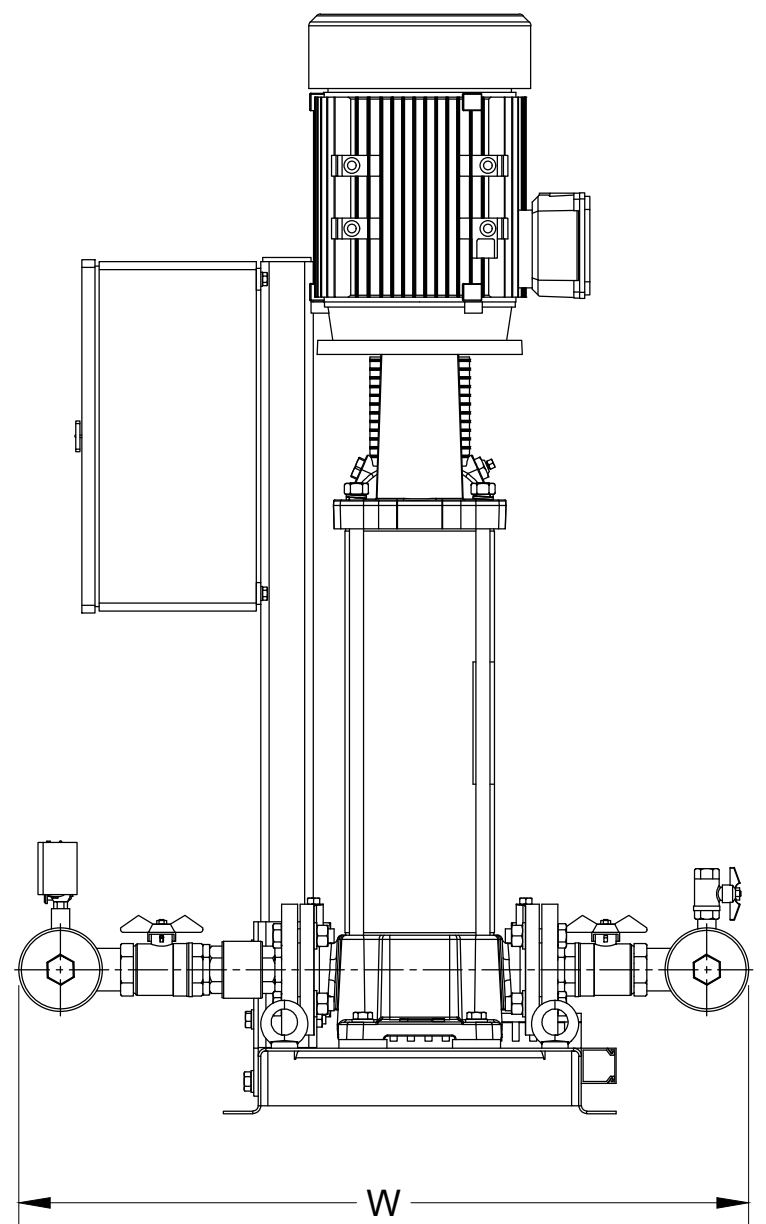
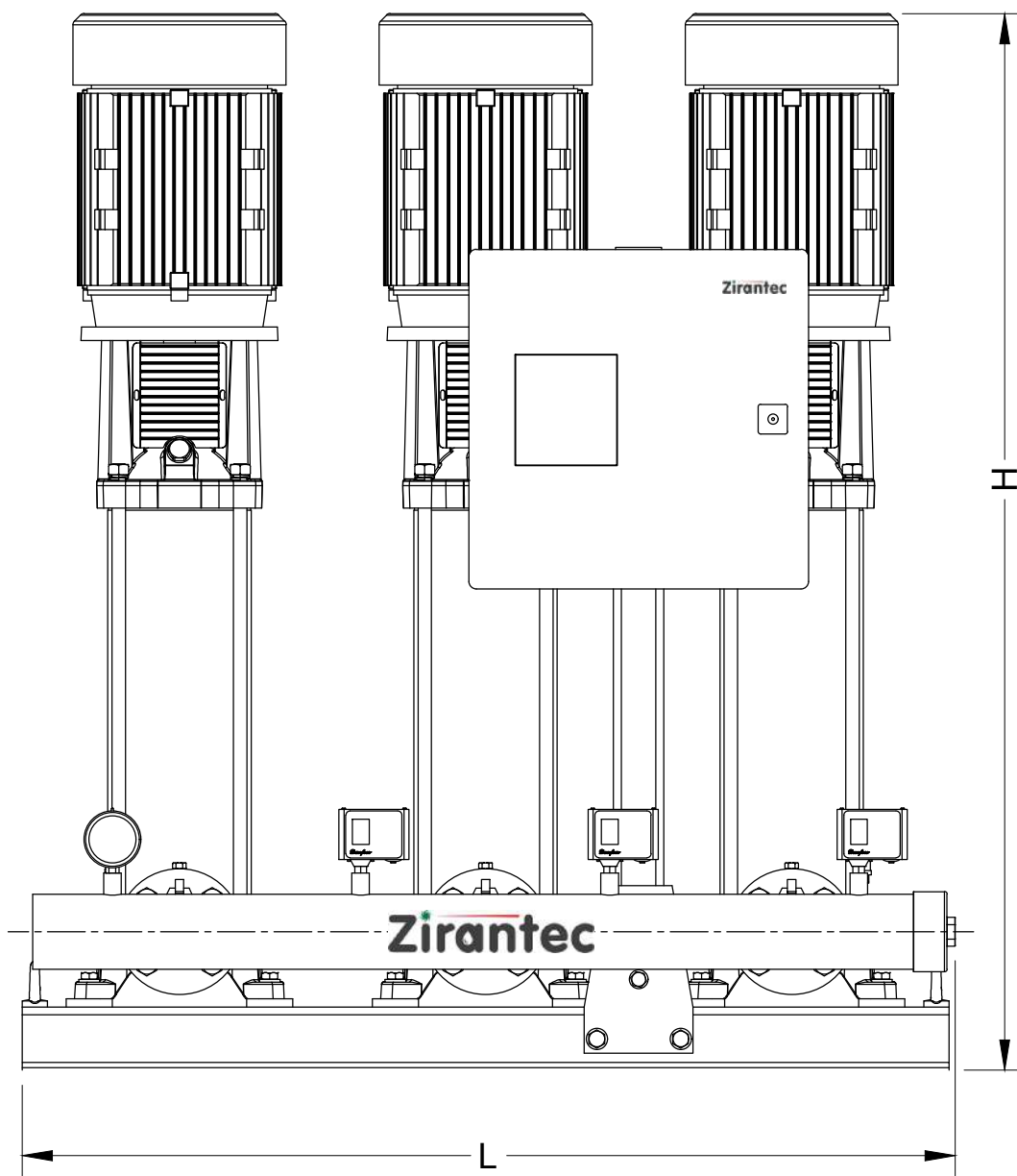
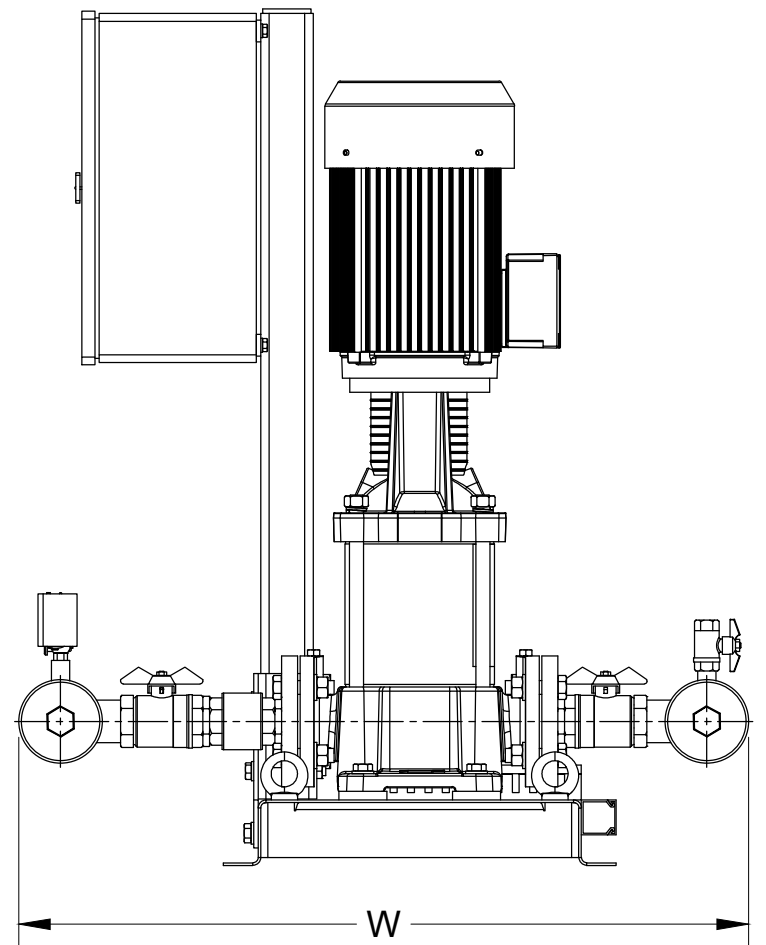
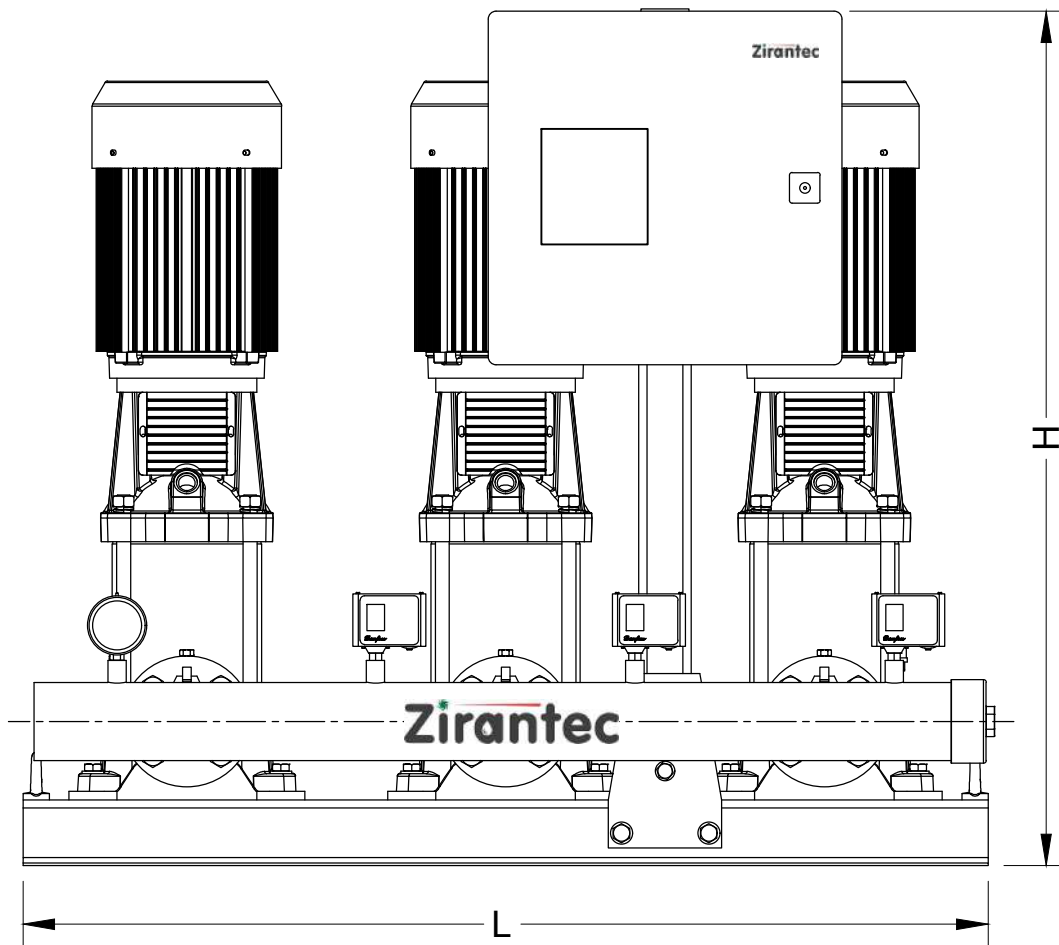
In view of continuous developments, The Information / Specifications / Descriptions / Illustrations are subject to change without notice.

# PRESSURE BOOSTING SYSTEM (FVHS - E SERIES)

## SYSTEM OVER ALL DIMENSIONS

SYSTEM MODEL:- FVS 1-10m<sup>3</sup>/hr(3 PUMPS)

# Zirantec



**NOTE:-**

- 1. PRODUCT PICTURE MAY DIFFER FROM ACTUAL PRODUCT
- 2. PUMP DIMENSION REFER IN PUMP CATALOG

In view of continuous developments, The Information / Specifications / Descriptions / Illustrations are subject to change without notice.



**PRESSURE BOOSTING SYSTEM (FVHS - E SERIES)**

**SYSTEM OVER ALL DIMENSIONS**



**SYSTEM MODEL:- FVS 1-3m<sup>3</sup>/hr(3 PUMPS)**

PUMP MODEL	MOTOR POWER		S/D Manifold Pipe size in inches	DIMENSION IN mm			SYSTEM TYPE
	KW	HP		L	W	H	
FVHS-1/02TR	0.37	0.5	2 1/2"	1050	750	981	*
FVHS-1/03TR	0.37	0.5		1050	750	981	*
FVHS-1/04TR	0.37	0.5		1050	750	981	*
FVHS-1/05TR	0.37	0.5		1050	750	981	*
FVHS-1/06TR	0.37	0.5		1050	750	981	*
FVHS-1/07TR	0.37	0.5		1050	750	981	*
FVHS-1/08TR	0.55	0.75		1050	750	981	*
FVHS-1/09TR	0.55	0.75		1050	750	981	*
FVHS-1/10TR	0.55	0.75		1050	750	981	*
FVHS-1/11TR	0.55	0.75		1050	750	981	*
FVHS-1/12TR	0.75	1		1050	750	981	*
FVHS-1/13TR	0.75	1		1050	750	981	*
FVHS-1/15TR	0.75	1		1050	750	981	*
FVHS-1/17TR	1.1	1.5		1050	750	981	*
FVHS-1/19TR	1.1	1.5		1050	750	981	*
FVHS-1/21TR	1.1	1.5		1050	750	981	*
FVHS-1/23TR	1.1	1.5		1050	750	1000	**
FVHS-1/25TR	1.5	2		1050	750	1085	**
FVHS-1/27TR	1.5	2		1050	750	1121	**
FVHS-1/30TR	1.5	2		1050	750	1175	**
FVHS-1/33TR	2.2	3		1050	750	1229	**
FVHS-1/36TR	2.2	3		1050	750	1283	**
FVHS-2/02TR	0.37	0.5		1050	750	981	*
FVHS-2/03TR	0.37	0.5		1050	750	981	*
FVHS-2/04TR	0.55	0.75		1050	750	981	*
FVHS-2/05TR	0.55	0.75		1050	750	981	*
FVHS-2/06TR	0.75	1		1050	750	981	*
FVHS-2/07TR	0.75	1		1050	750	981	*
FVHS-2/09TR	1.1	1.5		1050	750	981	*
FVHS-2/11TR	1.1	1.5		1050	750	981	*
FVHS-2/13TR	1.5	2		1050	750	981	*
FVHS-2/15TR	1.5	2		1050	750	981	*
FVHS-2/18TR	2.2	3		1050	750	981	*
FVHS-2/22TR	2.2	3		1050	750	1031	**
FVHS-2/26TR	3	4		1050	750	1128	**
FVHS-3/02TR	0.37	0.5		1050	750	981	*
FVHS-3/03TR	0.37	0.5	1050	750	981	*	
FVHS-3/04TR	0.37	0.5	1050	750	981	*	
FVHS-3/05TR	0.37	0.5	1050	750	981	*	
FVHS-3/06TR	0.55	0.75	1050	750	981	*	
FVHS-3/07TR	0.55	0.75	1050	750	981	*	
FVHS-3/08TR	0.75	1	1050	750	981	*	
FVHS-3/09TR	0.75	1	1050	750	981	*	
FVHS-3/10TR	0.75	1	1050	750	981	*	
FVHS-3/11TR	1.1	1.5	1050	750	981	*	
FVHS-3/12TR	1.1	1.5	1050	750	981	*	
FVHS-3/13TR	1.1	1.5	1050	750	981	*	
FVHS-3/15TR	1.1	1.5	1050	750	981	*	
FVHS-3/17TR	1.5	2	1050	750	981	*	
FVHS-3/19TR	1.5	2	1050	750	981	*	
FVHS-3/21TR	2.2	3	1050	750	1013	**	
FVHS-3/23TR	2.2	3	1050	750	1049	**	
FVHS-3/25TR	2.2	3	1050	750	1085	**	
FVHS-3/27TR	2.2	3	1050	750	1121	**	
FVHS-3/29TR	2.2	3	1050	750	1157	**	
FVHS-3/31TR	3	4	1050	750	1218	**	
FVHS-3/33TR	3	4	1050	750	1254	**	
FVHS-3/36TR	3	4	1050	750	1308	**	

In view of continuous developments, The Information / Specifications / Descriptions / Illustrations are subject to change without notice.

# PRESSURE BOOSTING SYSTEM (FVHS - E SERIES)

## SYSTEM OVER ALL DIMENSIONS



**SYSTEM MODEL:- FVS 4-10m<sup>3</sup>/hr(3 PUMPS)**

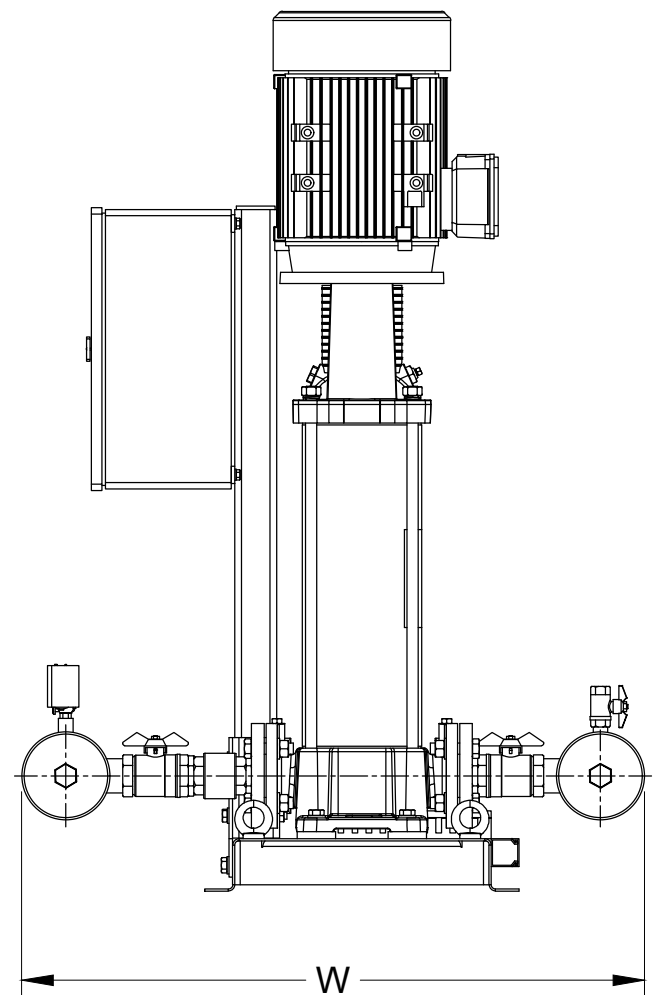
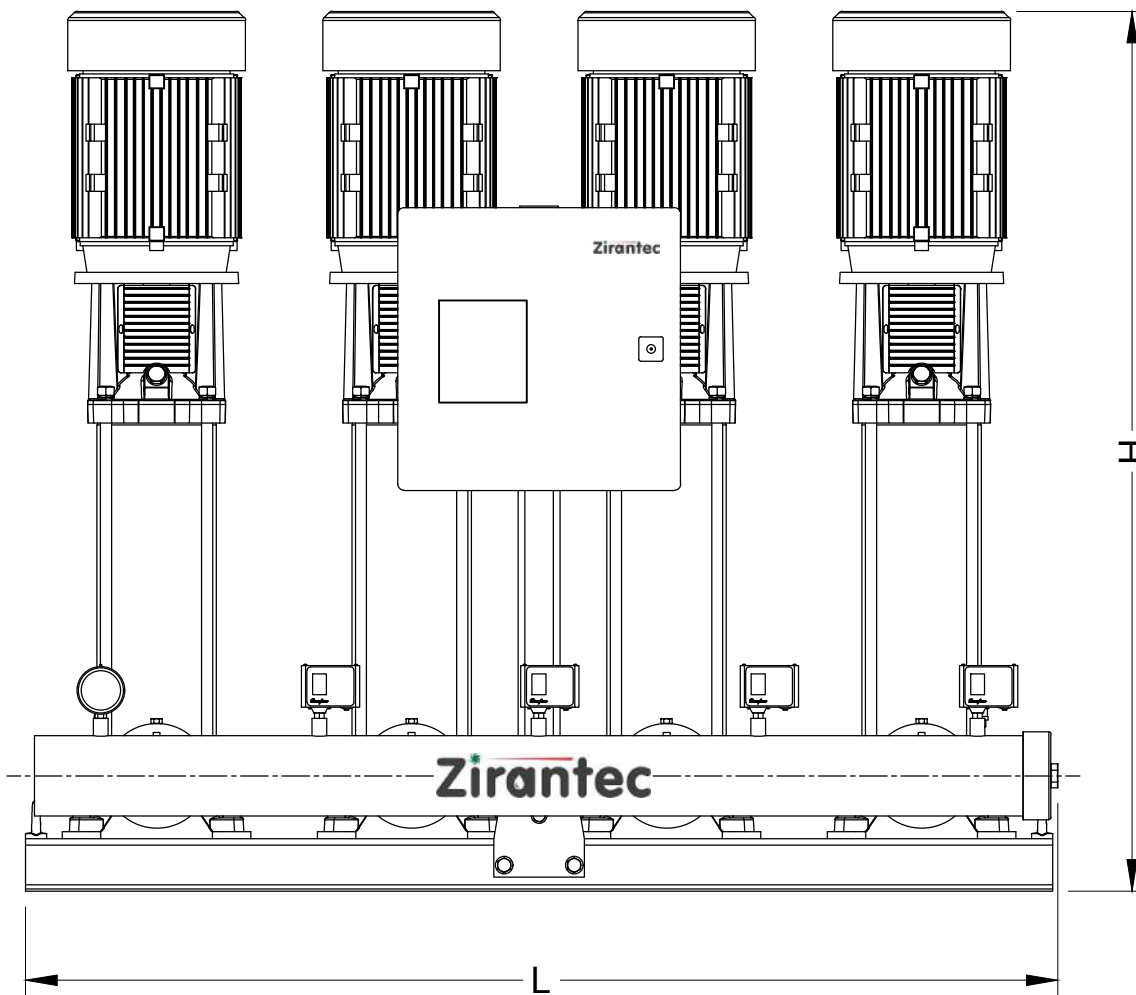
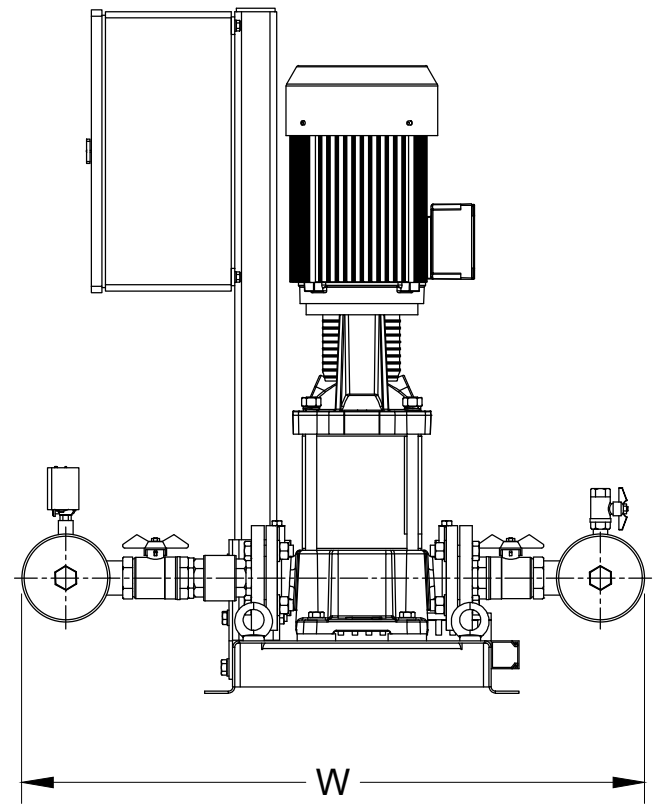
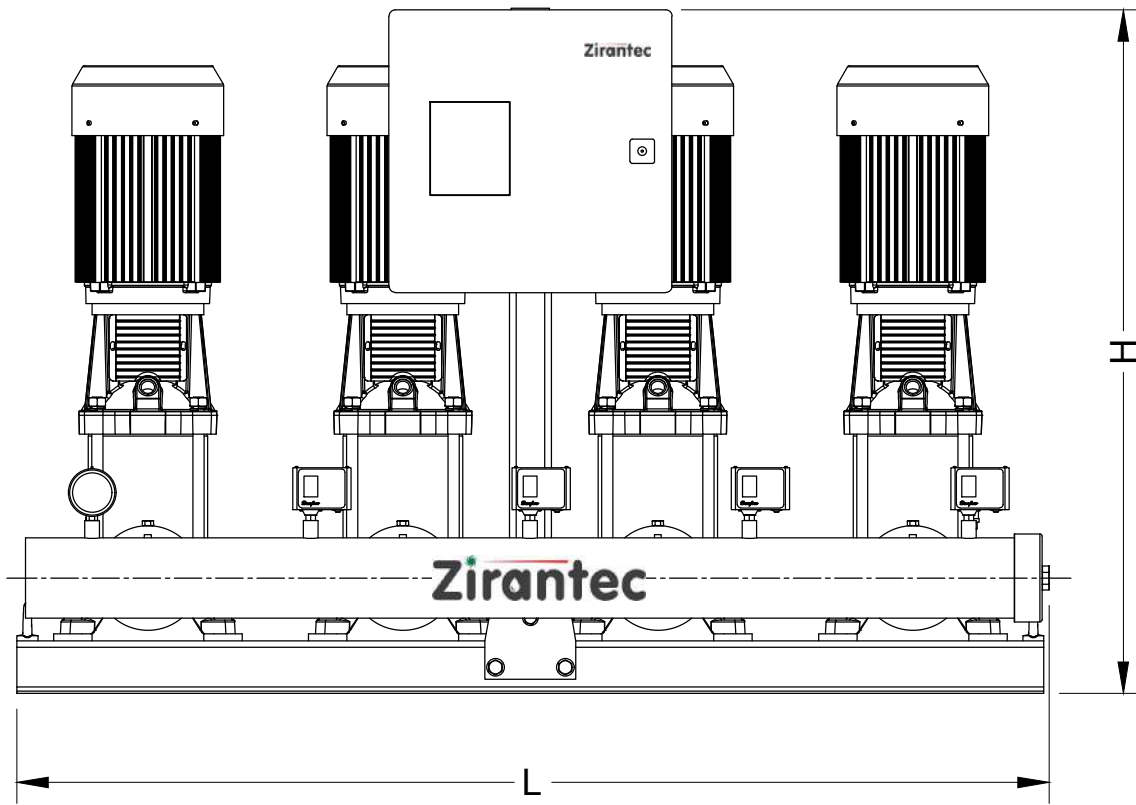
PUMP MODEL	MOTOR POWER		S/D Manifold Pipe size in inches	DIMENSION IN mm			SYSTEM TYPE
	KW	HP		L	W	H	
FVHS-04/01TR	0.37	0.5	2 1/2"	1050	750	981	*
FVHS-04/02TR	0.37	0.5		1050	750	981	*
FVHS-04/03TR	0.55	0.75		1050	750	981	*
FVHS-04/04TR	0.75	1		1050	750	981	*
FVHS-04/05TR	1.1	1.5		1050	750	981	*
FVHS-04/06TR	1.1	1.5		1050	750	981	*
FVHS-04/07TR	1.5	2		1050	750	981	*
FVHS-04/08TR	1.5	2		1050	750	981	*
FVHS-04/10TR	2.2	3		1050	750	981	*
FVHS-04/12TR	2.2	3		1050	750	986	*
FVHS-04/14TR	3	4		1050	750	1065	**
FVHS-04/16TR	3	4		1050	750	1119	**
FVHS-04/19TR	4	5.5		1050	750	1220	**
FVHS-04/22TR	4	5.5		1050	750	1301	**
FVHS-05/02TR	0.37	0.5		1050	750	981	*
FVHS-05/03TR	0.55	0.75		1050	750	981	*
FVHS-05/04TR	0.55	0.75		1050	750	981	*
FVHS-05/05TR	0.75	1		1050	750	981	*
FVHS-05/06TR	1.1	1.5		1050	750	981	*
FVHS-05/07TR	1.1	1.5		1050	750	981	*
FVHS-05/08TR	1.1	1.5		1050	750	981	*
FVHS-05/09TR	1.5	2		1050	750	981	*
FVHS-05/10TR	1.5	2		1050	750	981	*
FVHS-05/11TR	2.2	3		1050	750	981	*
FVHS-05/12TR	2.2	3		1050	750	981	*
FVHS-05/13TR	2.2	3		1050	750	986	**
FVHS-05/14TR	2.2	3		1050	750	1013	**
FVHS-05/15TR	2.2	3		1050	750	1040	**
FVHS-05/16TR	2.2	3		1050	750	1067	**
FVHS-05/18TR	3	4		1050	750	1146	**
FVHS-05/20TR	3	4		1050	750	1200	**
FVHS-05/22TR	4	5.5		1050	750	1274	**
FVHS-05/24TR	4	5.5		1050	750	1328	**
FVHS-05/26TR	4	5.5		1050	750	1382	**
FVHS-05/29TR	4	5.5	1050	750	1463	**	
FVHS-05/32TR	5.5	7.5	1050	750	1680	**	
FVHS-05/36TR	5.5	7.5	1050	750	1788	**	
FVHS-10/01TR	0.37	0.50	3"	1115	840	981	*
FVHS-10/02TR	0.75	1.00		1115	840	981	*
FVHS-10/03TR	1.1	1.50		1115	840	981	*
FVHS-10/04TR	1.5	2.00		1115	840	981	*
FVHS-10/05TR	2.2	3.00		1115	840	981	*
FVHS-10/06TR	2.2	3.00		1115	840	981	*
FVHS-10/07TR	3	4.00		1115	840	981	*
FVHS-10/08TR	3	4.00		1115	840	981	*
FVHS-10/09TR	3	4.00		1115	840	981	*
FVHS-10/10TR	4.0	5.50		1115	840	1035	**
FVHS-10/12TR	4.0	5.50		1115	840	1095	**
FVHS-10/14TR	5.5	7.50		1115	840	1216	**
FVHS-10/16TR	5.5	7.50		1115	840	1276	**
FVHS-10/18TR	7.5	10.00		1115	840	1375	**
FVHS-10/20TR	7.5	10.00		1115	840	1435	**
FVHS-10/22TR	7.5	10.00		1115	840	1495	**

# PRESSURE BOOSTING SYSTEM (FVHS - E SERIES)

## SYSTEM OVER ALL DIMENSIONS

# Zirantec

**SYSTEM MODEL:- FVS 1-10m<sup>3</sup>/hr(4 PUMPS)**



**NOTE:-**

1. PRODUCT PICTURE MAY DIFFER FROM ACTUAL PRODUCT
2. PUMP DIMENSION REFER IN PUMP CATALOG



**PRESSURE BOOSTING SYSTEM (FVHS - E SERIES)**

**SYSTEM OVER ALL DIMENSIONS**



**SYSTEM MODEL:- FVS 1-3m<sup>3</sup>/hr(4 PUMPS)**

PUMP MODEL	MOTOR POWER		S/D Manifold Pipe size in inches	DIMENSION IN mm			SYSTEM TYPE
	KW	HP		L	W	H	
FVHS-1/02TR	0.37	0.5	3"	1390	770	981	*
FVHS-1/03TR	0.37	0.5		1390	770	981	*
FVHS-1/04TR	0.37	0.5		1390	770	981	*
FVHS-1/05TR	0.37	0.5		1390	770	981	*
FVHS-1/06TR	0.37	0.5		1390	770	981	*
FVHS-1/07TR	0.37	0.5		1390	770	981	*
FVHS-1/08TR	0.55	0.75		1390	770	981	*
FVHS-1/09TR	0.55	0.75		1390	770	981	*
FVHS-1/10TR	0.55	0.75		1390	770	981	*
FVHS-1/11TR	0.55	0.75		1390	770	981	*
FVHS-1/12TR	0.75	1		1390	770	981	*
FVHS-1/13TR	0.75	1		1390	770	981	*
FVHS-1/15TR	0.75	1		1390	770	981	*
FVHS-1/17TR	1.1	1.5		1390	770	981	*
FVHS-1/19TR	1.1	1.5		1390	770	981	*
FVHS-1/21TR	1.1	1.5		1390	770	981	*
FVHS-1/23TR	1.1	1.5		1390	770	1000	**
FVHS-1/25TR	1.5	2		1390	770	1085	**
FVHS-1/27TR	1.5	2		1390	770	1121	**
FVHS-1/30TR	1.5	2		1390	770	1175	**
FVHS-1/33TR	2.2	3		1390	770	1229	**
FVHS-1/36TR	2.2	3		1390	770	1283	**
FVHS-2/02TR	0.37	0.5		1390	770	981	*
FVHS-2/03TR	0.37	0.5		1390	770	981	*
FVHS-2/04TR	0.55	0.75		1390	770	981	*
FVHS-2/05TR	0.55	0.75		1390	770	981	*
FVHS-2/06TR	0.75	1		1390	770	981	*
FVHS-2/07TR	0.75	1		1390	770	981	*
FVHS-2/09TR	1.1	1.5		1390	770	981	*
FVHS-2/11TR	1.1	1.5		1390	770	981	*
FVHS-2/13TR	1.5	2		1390	770	981	*
FVHS-2/15TR	1.5	2		1390	770	981	*
FVHS-2/18TR	2.2	3		1390	770	981	*
FVHS-2/22TR	2.2	3		1390	770	1031	**
FVHS-2/26TR	3	4		1390	770	1128	**
FVHS-3/02TR	0.37	0.5		1390	770	981	*
FVHS-3/03TR	0.37	0.5	1390	770	981	*	
FVHS-3/04TR	0.37	0.5	1390	770	981	*	
FVHS-3/05TR	0.37	0.5	1390	770	981	*	
FVHS-3/06TR	0.55	0.75	1390	770	981	*	
FVHS-3/07TR	0.55	0.75	1390	770	981	*	
FVHS-3/08TR	0.75	1	1390	770	981	*	
FVHS-3/09TR	0.75	1	1390	770	981	*	
FVHS-3/10TR	0.75	1	1390	770	981	*	
FVHS-3/11TR	1.1	1.5	1390	770	981	*	
FVHS-3/12TR	1.1	1.5	1390	770	981	*	
FVHS-3/13TR	1.1	1.5	1390	770	981	*	
FVHS-3/15TR	1.1	1.5	1390	770	981	*	
FVHS-3/17TR	1.5	2	1390	770	981	*	
FVHS-3/19TR	1.5	2	1390	770	981	*	
FVHS-3/21TR	2.2	3	1390	770	1013	**	
FVHS-3/23TR	2.2	3	1390	770	1049	**	
FVHS-3/25TR	2.2	3	1390	770	1085	**	
FVHS-3/27TR	2.2	3	1390	770	1121	**	
FVHS-3/29TR	2.2	3	1390	770	1157	**	
FVHS-3/31TR	3	4	1390	770	1218	**	
FVHS-3/33TR	3	4	1390	770	1254	**	
FVHS-3/36TR	3	4	1390	770	1308	**	

In view of continuous developments, The Information / Specifications / Descriptions / Illustrations are subject to change without notice.

**PRESSURE BOOSTING SYSTEM (FVHS - E SERIES)**

**SYSTEM OVER ALL DIMENSIONS**



**SYSTEM MODEL:- FVS 4-10m<sup>3</sup>/hr(4 PUMPS)**

PUMP MODEL	MOTOR POWER		S/D Manifold Pipe size in inches	DIMENSION IN mm			SYSTEM TYPE
	KW	HP		L	W	H	
FVHS-04/01TR	0.37	0.5	3"	1390	770	981	*
FVHS-04/02TR	0.37	0.5		1390	770	981	*
FVHS-04/03TR	0.55	0.75		1390	770	981	*
FVHS-04/04TR	0.75	1		1390	770	981	*
FVHS-04/05TR	1.1	1.5		1390	770	981	*
FVHS-04/06TR	1.1	1.5		1390	770	981	*
FVHS-04/07TR	1.5	2		1390	770	981	*
FVHS-04/08TR	1.5	2		1390	770	981	*
FVHS-04/10TR	2.2	3		1390	770	981	*
FVHS-04/12TR	2.2	3		1390	770	986	*
FVHS-04/14TR	3	4		1390	770	1065	**
FVHS-04/16TR	3	4		1390	770	1119	**
FVHS-04/19TR	4	5.5		1390	770	1220	**
FVHS-04/22TR	4	5.5		1390	770	1301	**
FVHS-05/02TR	0.37	0.5		1390	770	981	*
FVHS-05/03TR	0.55	0.75		1390	770	981	*
FVHS-05/04TR	0.55	0.75		1390	770	981	*
FVHS-05/05TR	0.75	1		1390	770	981	*
FVHS-05/06TR	1.1	1.5		1390	770	981	*
FVHS-05/07TR	1.1	1.5		1390	770	981	*
FVHS-05/08TR	1.1	1.5		1390	770	981	*
FVHS-05/09TR	1.5	2		1390	770	981	*
FVHS-05/10TR	1.5	2		1390	770	981	*
FVHS-05/11TR	2.2	3		1390	770	981	*
FVHS-05/12TR	2.2	3		1390	770	981	*
FVHS-05/13TR	2.2	3		1390	770	986	**
FVHS-05/14TR	2.2	3		1390	770	1013	**
FVHS-05/15TR	2.2	3		1390	770	1040	**
FVHS-05/16TR	2.2	3		1390	770	1067	**
FVHS-05/18TR	3	4		1390	770	1146	**
FVHS-05/20TR	3	4		1390	770	1200	**
FVHS-05/22TR	4	5.5		1390	770	1274	**
FVHS-05/24TR	4	5.5		1390	770	1328	**
FVHS-05/26TR	4	5.5		1390	770	1382	**
FVHS-05/29TR	4	5.5	1390	770	1463	**	
FVHS-05/32TR	5.5	7.5	1390	770	1680	**	
FVHS-05/36TR	5.5	7.5	1390	770	1788	**	
FVHS-10/01TR	0.37	0.50	4"	1480	900	981	*
FVHS-10/02TR	0.75	1.00		1480	900	981	*
FVHS-10/03TR	1.1	1.50		1480	900	981	*
FVHS-10/04TR	1.5	2.00		1480	900	981	*
FVHS-10/05TR	2.2	3.00		1480	900	981	*
FVHS-10/06TR	2.2	3.00		1480	900	981	*
FVHS-10/07TR	3	4.00		1480	900	981	*
FVHS-10/08TR	3	4.00		1480	900	981	*
FVHS-10/09TR	3	4.00		1480	900	981	*
FVHS-10/10TR	4.0	5.50		1480	900	1035	**
FVHS-10/12TR	4.0	5.50		1480	900	1095	**
FVHS-10/14TR	5.5	7.50		1480	900	1216	**
FVHS-10/16TR	5.5	7.50		1480	900	1276	**
FVHS-10/18TR	7.5	10.00		1480	900	1375	**
FVHS-10/20TR	7.5	10.00	1480	900	1435	**	
FVHS-10/22TR	7.5	10.00	1480	900	1495	**	

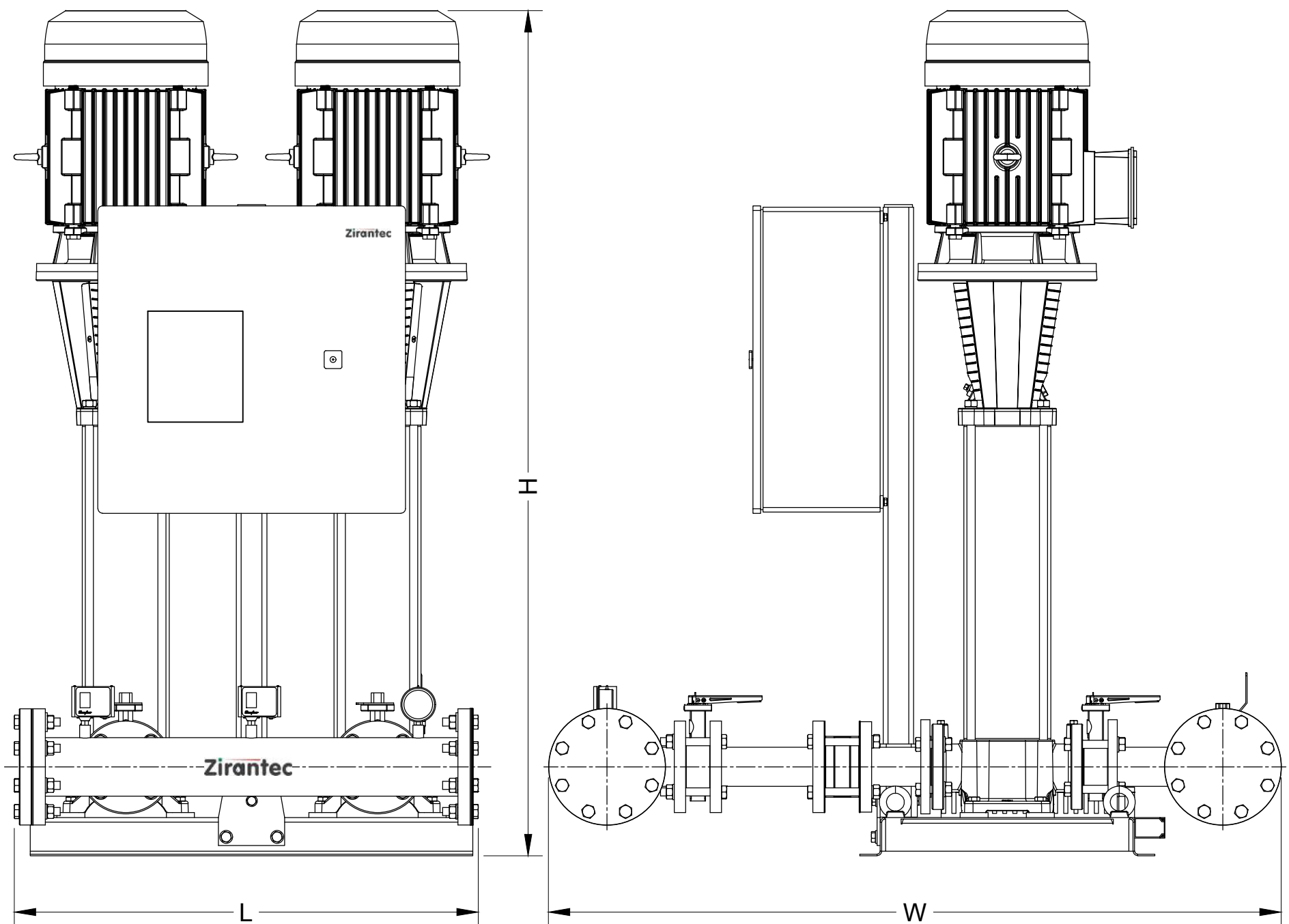
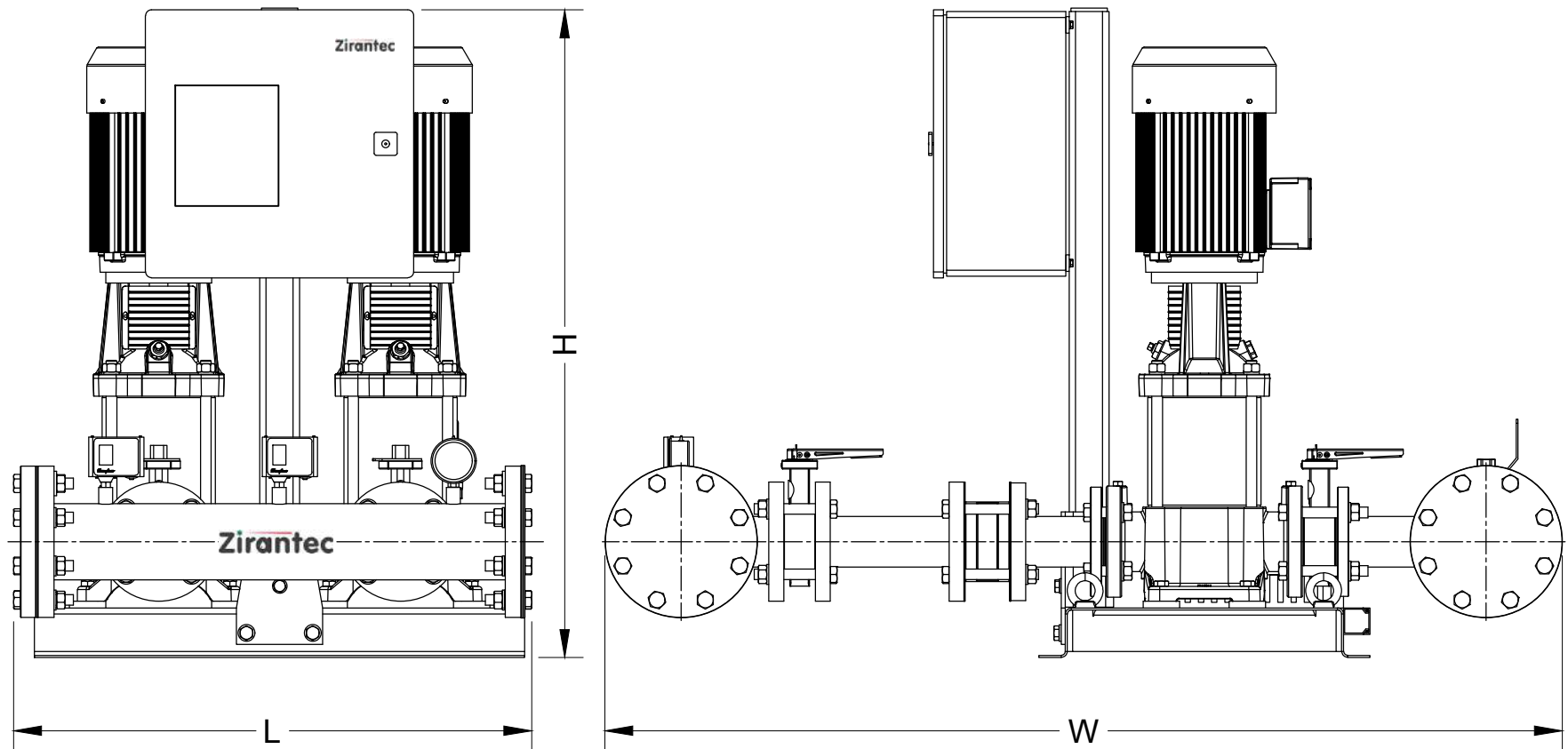
In view of continuous developments, The Information / Specifications / Descriptions / Illustrations are subject to change without notice.

# PRESSURE BOOSTING SYSTEM (FVHS - E SERIES)

## SYSTEM OVER ALL DIMENSIONS

# Zirantec

SYSTEM MODEL:- FVS 15-90m<sup>3</sup>/hr(2 PUMPS)



**NOTE:-**

1. PRODUCT PICTURE MAY DIFFER FROM ACTUAL PRODUCT
2. PUMP DIMENSION REFER IN PUMP CATALOG

In view of continuous developments, The Information / Specifications / Descriptions / Illustrations are subject to change without notice.

**PRESSURE BOOSTING SYSTEM (FVHS - E SERIES)**

**SYSTEM OVER ALL DIMENSIONS**



**SYSTEM MODEL:- FVS 15-20m<sup>3</sup>/hr(2 PUMPS)**

PUMP MODEL	MOTOR POWER		S/D Manifold Pipe size in inches	DIMENSION IN mm			SYSTEM TYPE
	kW	HP		L	W	H	
FVHS-15/01TR	1.1	1.50	4"	785	1445	981	*
FVHS-15/02TR	2.2	3.00		785	1445	981	*
FVHS-15/03TR	3.0	4.00		785	1445	981	*
FVHS-15/04TR	4.0	5.50		785	1445	981	*
FVHS-15/05TR	4.0	5.50		785	1445	981	*
FVHS-15/06TR	5.5	7.50		785	1445	1081	**
FVHS-15/07TR	5.5	7.50		785	1445	1126	**
FVHS-15/08DR	7.5	10.00		915	1445	1285	**
FVHS-15/09DR	7.5	10.00		915	1445	1285	**
FVHS-15/10DR	11.0	15.00		915	1445	1466	**
FVHS-15/12DR	11.0	15.00		915	1445	1556	**
FVHS-20/01TR	1.1	1.5		785	1445	981	*
FVHS-20/02TR	2.2	3		785	1445	981	*
FVHS-20/03TR	4	5.5		785	1445	981	*
FVHS-20/04TR	5.5	7.5		785	1445	991	**
FVHS-20/05TR	5.5	7.5		785	1445	1036	**
FVHS-20/06DR	7.5	10		915	1445	1281	*
FVHS-20/07DR	7.5	10		915	1445	1281	*
FVHS-20/08DR	11	15		915	1445	1376	**
FVHS-20/10DR	11	15		915	1445	1510	**
FVHS-20/12DR	15	20	915	1445	1644	**	

In view of continuous developments, The Information / Specifications / Descriptions / Illustrations are subject to change without notice.

**PRESSURE BOOSTING SYSTEM (FVHS - E SERIES)**

**SYSTEM OVER ALL DIMENSIONS**



**SYSTEM MODEL:- FVS 32-90m<sup>3</sup>/hr(2 PUMPS)**

PUMP MODEL	MOTOR POWER		S/D Manifold Pipe size in inches	DIMENSION IN mm			SYSTEM TYPE	
	kW	HP		L	W	H		
FVHS-32/01ATR	1.5	2	5"	795	1505	981	*	
FVHS-32/01TR	2.2	3		795	1505	981	*	
FVHS-32/02BTR	3	4		795	1505	985	**	
FVHS-32/02ATR	4	5.5		795	1505	1019	**	
FVHS-32/02TR	4	5.5		795	1505	1019	**	
FVHS-32/03BTR	5.5	7.5		795	1505	1177	**	
FVHS-32/03TR	5.5	7.5		795	1505	1177	**	
FVHS-32/04BDR	7.5	10		930	1505	1281	*	
FVHS-32/04DR	7.5	10		930	1505	1281	*	
FVHS-32/05BDR	11	15		930	1505	1481	**	
FVHS-32/05DR	11	15		930	1505	1481	**	
FVHS-32/06BDR	11	15		930	1505	1551	**	
FVHS-32/06DR	11	15		930	1505	1551	**	
FVHS-32/07BDR	15	20		930	1505	1621	**	
FVHS-32/07DR	15	20		930	1505	1621	**	
FVHS-32/08BDR	15	20		930	1505	1691	**	
FVHS-32/08DR	15	20		930	1505	1691	**	
FVHS-44/01ATR	3	4		6"	840	1385	981	*
FVHS-44/01TR	4	5.5			840	1385	1003	**
FVHS-44/02BTR	5.5	7.5			840	1385	1114	**
FVHS-44/02DR	7.5	10	930		1385	1281	*	
FVHS-44/03BDR	11	15	930		1385	1414	**	
FVHS-44/03DR	11	15	930		1385	1414	**	
FVHS-44/04BDR	15	20	930		1385	1494	**	
FVHS-44/04DR	15	20	930		1385	1494	**	
FVHS-44/05BDR	18.5	25	930		1385	1618	**	
FVHS-44/05DR	18.5	25	930		1385	1618	**	
FVHS-66/01ATR	4	5.5	6"		865	1675	1003	**
FVHS-66/01TR	5.5	7.5			865	1675	1034	**
FVHS-66/02BDR	7.5	10			955	1640	1281	*
FVHS-66/02ADR	11	15			955	1640	1281	**
FVHS-66/02DR	11	15			955	1640	1281	**
FVHS-66/03BDR	15	20			955	1640	1414	**
FVHS-66/03ADR	15	20		955	1640	1414	**	
FVHS-66/03DR	18.5	25		955	1640	1458	**	
FVHS-66/04BDR	18.5	25		955	1640	1538	**	
FVHS-90/01ATR	5.5	7.5		6"	880	1685	1042	**
FVHS-90/01DR	7.5	10			960	1685	1281	*
FVHS-90/02ADR	11	15			960	1685	1354	**
FVHS-90/02DR	15	20			960	1685	1354	**
FVHS-90/03ADR	18.5	25			960	1685	1490	**

In view of continuous developments, The Information / Specifications / Descriptions / Illustrations are subject to change without notice.

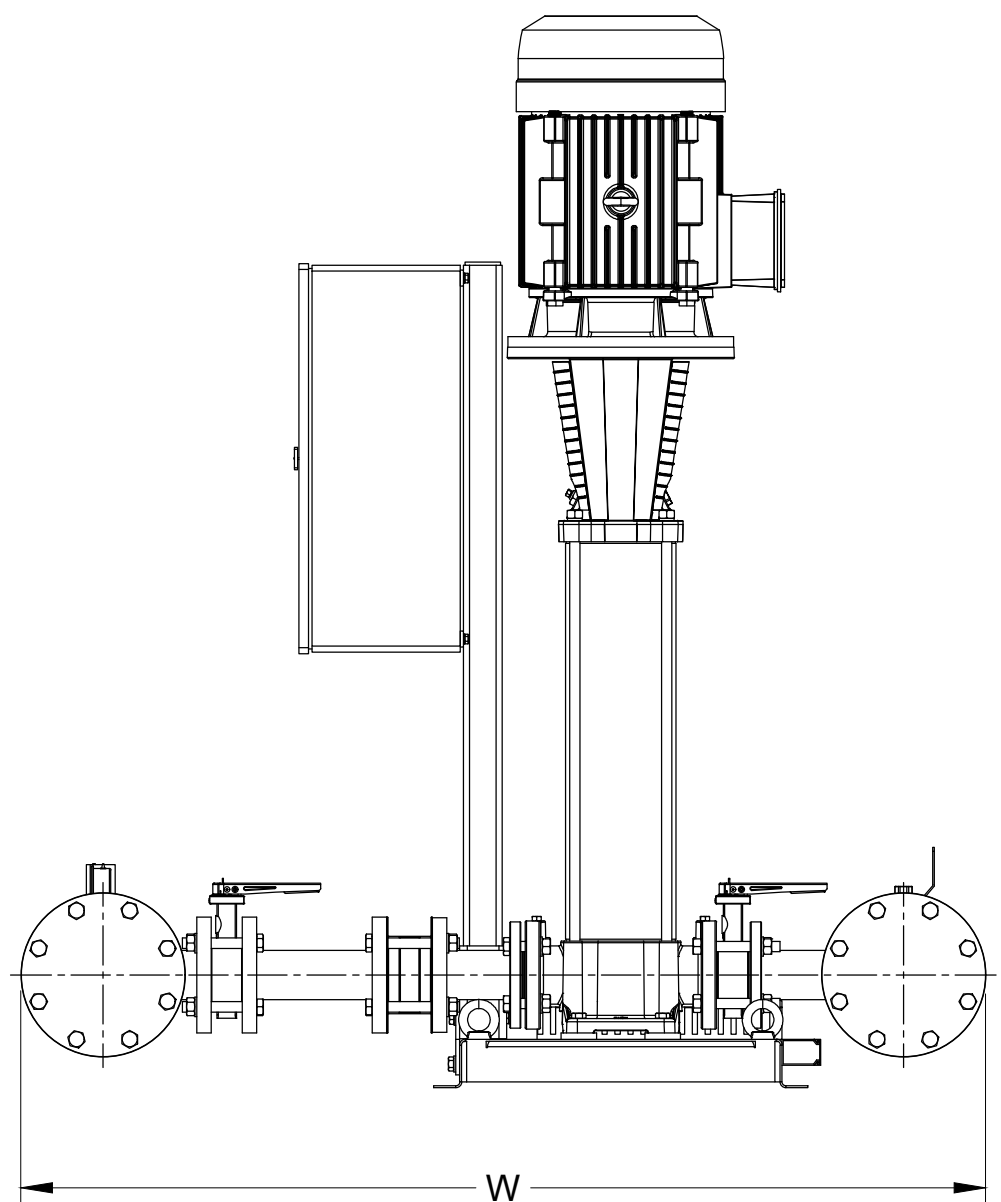
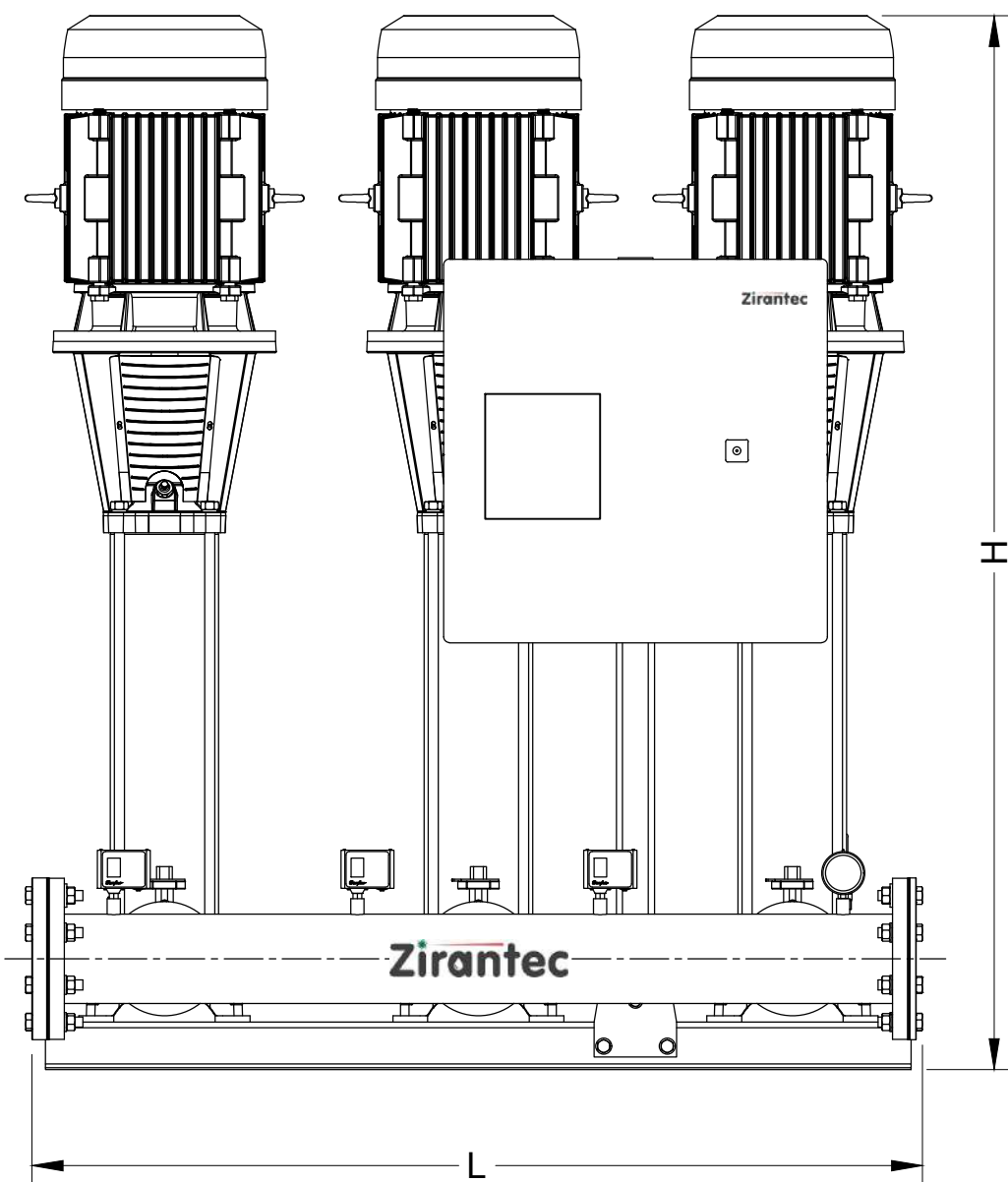
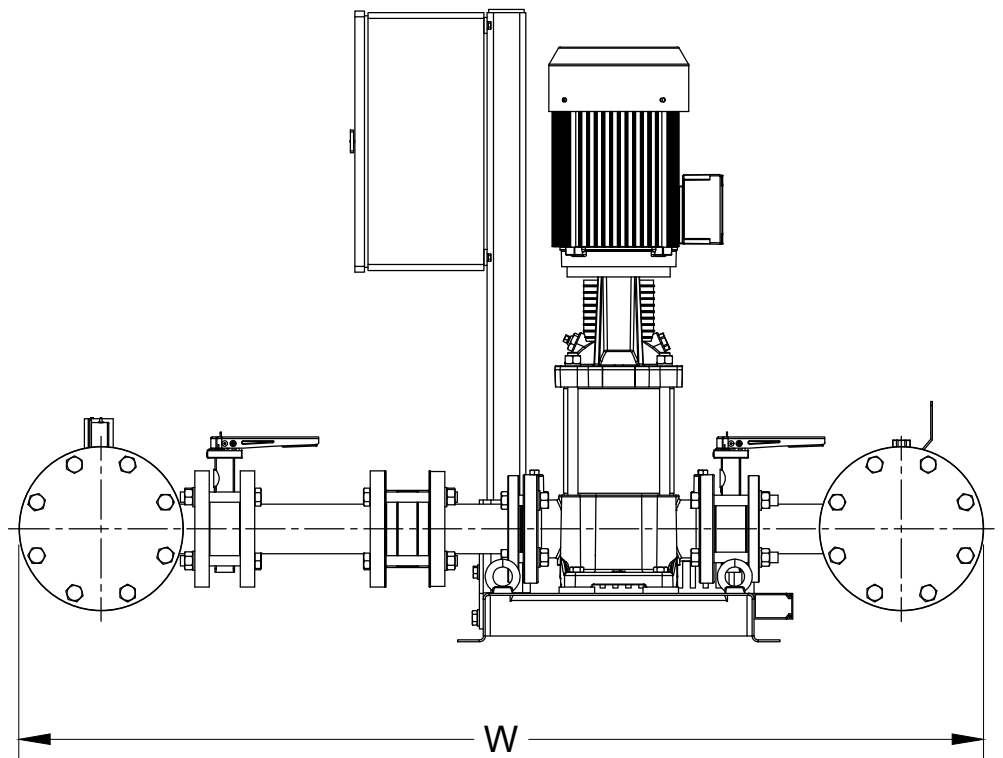
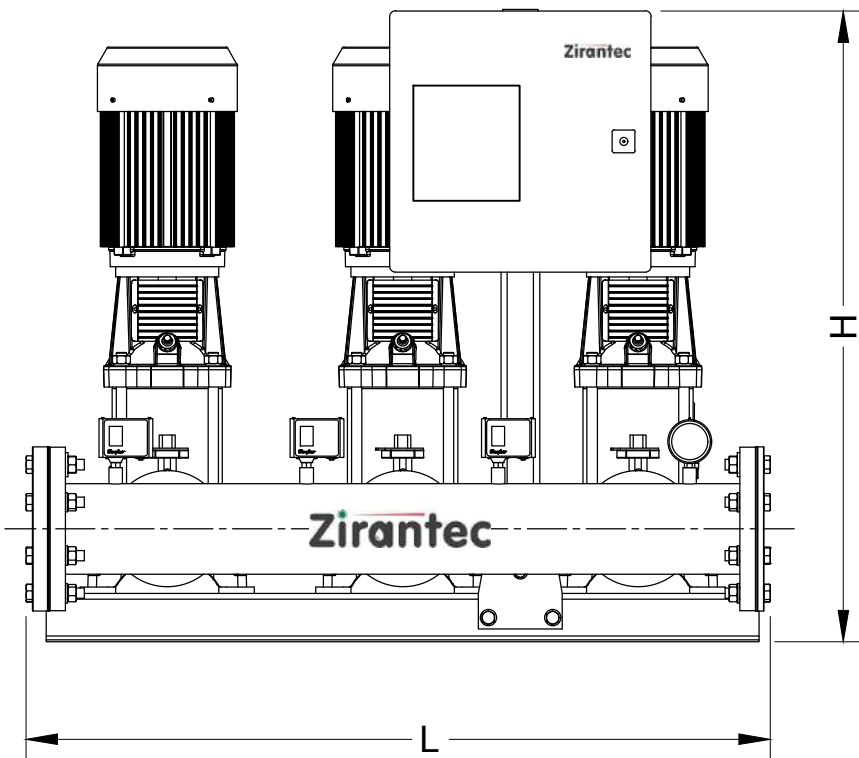


# PRESSURE BOOSTING SYSTEM (FVHS - E SERIES)

## SYSTEM OVER ALL DIMENSIONS

# Zirantec

**SYSTEM MODEL:- FVS 15-90m<sup>3</sup>/hr(3 PUMPS)**



**NOTE:-**

- 1. PRODUCT PICTURE MAY DIFFER FROM ACTUAL PRODUCT
- 2. PUMP DIMENSION REFER IN PUMP CATALOG

In view of continuous developments, The Information / Specifications / Descriptions / Illustrations are subject to change without notice.

**PRESSURE BOOSTING SYSTEM (FVHS - E SERIES)**

**SYSTEM OVER ALL DIMENSIONS**



**SYSTEM MODEL:- FVS 15-20m<sup>3</sup>/hr(3 PUMPS)**

PUMP MODEL	MOTOR POWER		S/D Manifold Pipe size in inches	DIMENSION IN mm			SYSTEM TYPE
	kW	HP		L	W	H	
FVHS-15/01TR	1.1	1.50	5"	1150	1510	981	*
FVHS-15/02TR	2.2	3.00		1150	1510	981	*
FVHS-15/03TR	3.0	4.00		1150	1510	981	*
FVHS-15/04TR	4.0	5.50		1150	1510	981	*
FVHS-15/05TR	4.0	5.50		1150	1510	981	*
FVHS-15/06TR	5.5	7.50		1150	1510	1081	**
FVHS-15/07TR	5.5	7.50		1150	1510	1126	**
FVHS-15/08DR	7.5	10.00		1415	1495	1285	**
FVHS-15/09DR	7.5	10.00		1415	1495	1285	**
FVHS-15/10DR	11.0	15.00		1415	1495	1466	**
FVHS-15/12DR	11.0	15.00		1415	1495	1556	**
FVHS-20/01TR	1.1	1.5		5"	1150	1510	981
FVHS-20/02TR	2.2	3	1150		1510	981	*
FVHS-20/03TR	4	5.5	1150		1510	981	*
FVHS-20/04TR	5.5	7.5	1150		1510	991	**
FVHS-20/05TR	5.5	7.5	1150		1510	1036	**
FVHS-20/06DR	7.5	10	1415		1510	1281	*
FVHS-20/07DR	7.5	10	1415		1510	1281	*
FVHS-20/08DR	11	15	1415		1510	1376	**
FVHS-20/10DR	11	15	1415		1510	1510	**
FVHS-20/12DR	15	20	1415		1510	1644	**

In view of continuous developments, The Information / Specifications / Descriptions / Illustrations are subject to change without notice.

**PRESSURE BOOSTING SYSTEM (FVHS - E SERIES)**

**SYSTEM OVER ALL DIMENSIONS**



**SYSTEM MODEL:- FVS 32-90m<sup>3</sup>/hr(3 PUMPS)**

PUMP MODEL	MOTOR POWER		S/D Manifold Pipe size in inches	DIMENSION IN mm			SYSTEM TYPE	
	kW	HP		L	W	H		
FVHS-32/01ATR	1.5	2	6"	1175	1555	981	*	
FVHS-32/01TR	2.2	3		1175	1555	981	*	
FVHS-32/02BTR	3	4		1175	1555	985	**	
FVHS-32/02ATR	4	5.5		1175	1555	1019	**	
FVHS-32/02TR	4	5.5		1175	1555	1019	**	
FVHS-32/03BTR	5.5	7.5		1175	1555	1177	**	
FVHS-32/03TR	5.5	7.5		1175	1555	1177	**	
FVHS-32/04BDR	7.5	10		1420	1555	1281	*	
FVHS-32/04DR	7.5	10		1420	1555	1281	*	
FVHS-32/05BDR	11	15		1420	1555	1481	**	
FVHS-32/05DR	11	15		1420	1555	1481	**	
FVHS-32/06BDR	11	15		1420	1555	1551	**	
FVHS-32/06DR	11	15		1420	1555	1551	**	
FVHS-32/07BDR	15	20		1420	1555	1621	**	
FVHS-32/07DR	15	20		1420	1555	1621	**	
FVHS-32/08BDR	15	20		1420	1555	1691	**	
FVHS-32/08DR	15	20		1420	1555	1691	**	
FVHS-44/01ATR	3	4		8"	1245	1445	981	*
FVHS-44/01TR	4	5.5			1245	1445	1003	**
FVHS-44/02BTR	5.5	7.5			1245	1445	1114	**
FVHS-44/02DR	7.5	10	1440		1445	1281	*	
FVHS-44/03BDR	11	15	1440		1445	1414	**	
FVHS-44/03DR	11	15	1440		1445	1414	**	
FVHS-44/04BDR	15	20	1440		1445	1494	**	
FVHS-44/04DR	15	20	1440		1445	1494	**	
FVHS-44/05BDR	18.5	25	1440		1445	1618	**	
FVHS-44/05DR	18.5	25	1440		1445	1618	**	
FVHS-66/01ATR	4	5.5	8"		1270	1810	1003	**
FVHS-66/01TR	5.5	7.5			1270	1810	1034	**
FVHS-66/02BDR	7.5	10			1445	1810	1281	*
FVHS-66/02ADR	11	15			1445	1810	1281	**
FVHS-66/02DR	11	15			1445	1810	1281	**
FVHS-66/03BDR	15	20			1445	1810	1414	**
FVHS-66/03ADR	15	20		1445	1810	1414	**	
FVHS-66/03DR	18.5	25		1445	1810	1458	**	
FVHS-66/04BDR	18.5	25		1445	1810	1538	**	
FVHS-90/01ATR	5.5	7.5		8"	1295	1821	1042	**
FVHS-90/01DR	7.5	10			1453	1821	1281	*
FVHS-90/02ADR	11	15			1453	1821	1354	**
FVHS-90/02DR	15	20			1453	1821	1354	**
FVHS-90/03ADR	18.5	25			1453	1821	1490	**

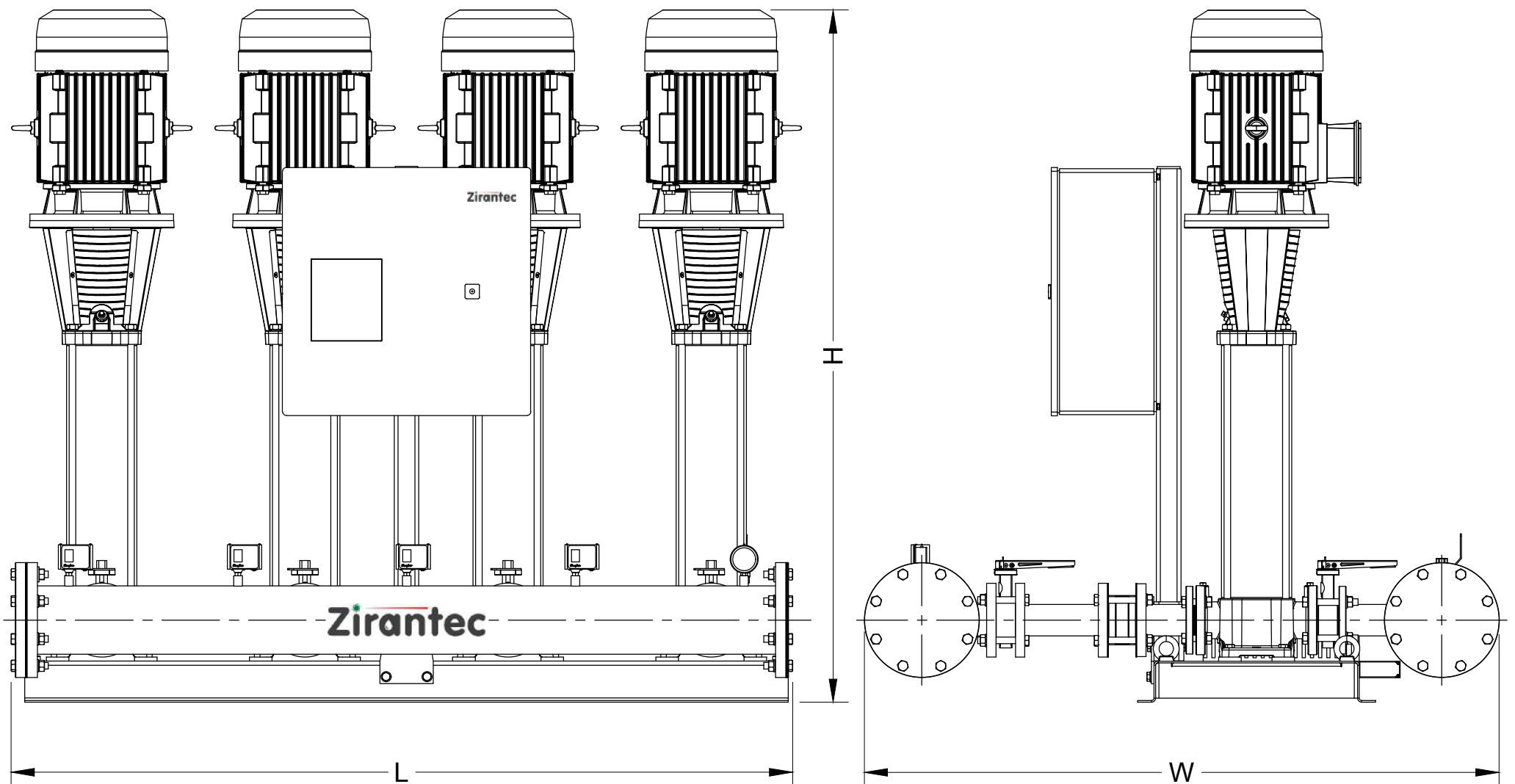
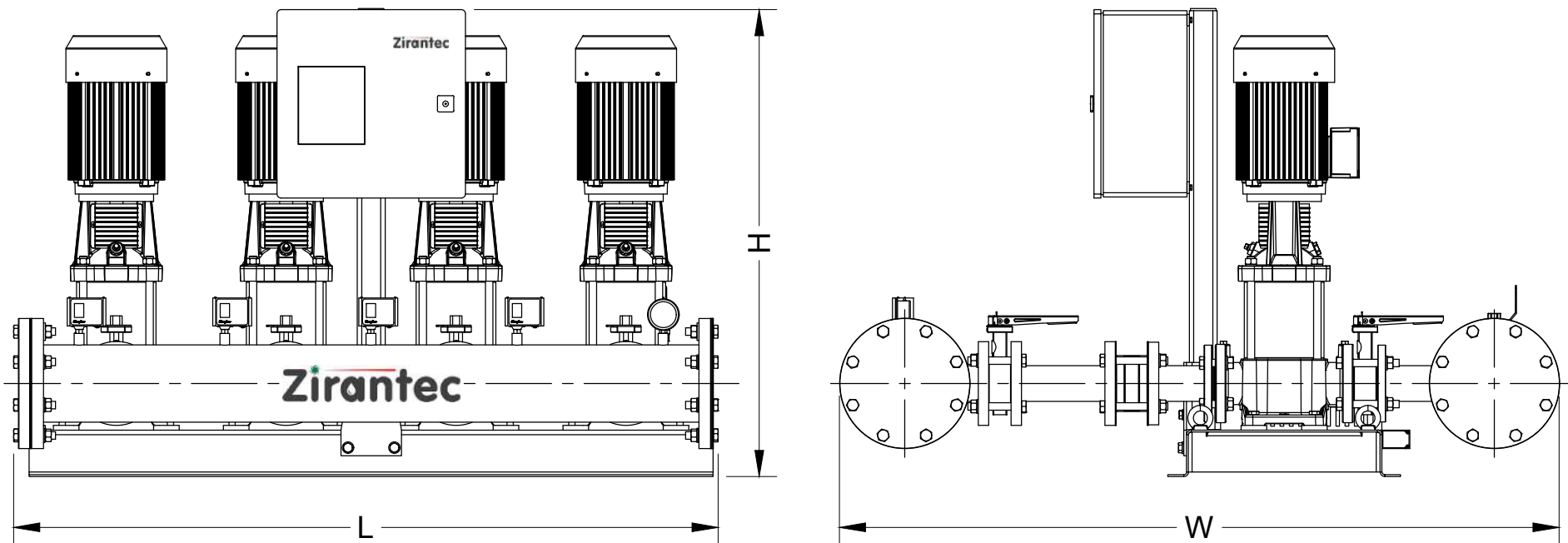
In view of continuous developments, The Information / Specifications / Descriptions / Illustrations are subject to change without notice.

# PRESSURE BOOSTING SYSTEM (FVHS - E SERIES)

## SYSTEM OVER ALL DIMENSIONS

# Zirantec

SYSTEM MODEL:- FVS 15-90m<sup>3</sup>/hr(4 PUMPS)



**NOTE:-**

1. PRODUCT PICTURE MAY DIFFER FROM ACTUAL PRODUCT
2. PUMP DIMENSION REFER IN PUMP CATALOG

**PRESSURE BOOSTING SYSTEM (FVHS - E SERIES)**

**SYSTEM OVER ALL DIMENSIONS**



**SYSTEM MODEL:- FVS 15-20m<sup>3</sup>/hr(4 PUMPS)**

PUMP MODEL	MOTOR POWER		S/D Manifold Pipe size in inches	DIMENSION IN mm			SYSTEM TYPE
	kW	HP		L	W	H	
FVHS-15/01TR	1.1	1.50	6"	1515	1550	981	*
FVHS-15/02TR	2.2	3.00		1515	1550	981	*
FVHS-15/03TR	3.0	4.00		1515	1550	981	*
FVHS-15/04TR	4.0	5.50		1515	1550	981	*
FVHS-15/05TR	4.0	5.50		1515	1550	981	*
FVHS-15/06TR	5.5	7.50		1515	1550	1081	**
FVHS-15/07TR	5.5	7.50		1515	1550	1126	**
FVHS-15/08DR	7.5	10.00		1905	1550	1285	**
FVHS-15/09DR	7.5	10.00		1905	1550	1285	**
FVHS-15/10DR	11.0	15.00		1905	1550	1466	**
FVHS-15/12DR	11.0	15.00		1905	1550	1556	**
FVHS-20/01TR	1.1	1.5		6"	1515	1550	1006
FVHS-20/02TR	2.2	3	1515		1550	1006	*
FVHS-20/03TR	4	5.5	1515		1550	1006	*
FVHS-20/04TR	5.5	7.5	1515		1550	1016	**
FVHS-20/05TR	5.5	7.5	1515		1550	1061	**
FVHS-20/06DR	7.5	10	1905		1550	1306	*
FVHS-20/07DR	7.5	10	1905		1550	1306	*
FVHS-20/08DR	11	15	1905		1550	1401	**
FVHS-20/10DR	11	15	1905		1550	1535	**
FVHS-20/12DR	15	20	1905		1550	1669	**

In view of continuous developments, The Information / Specifications / Descriptions / Illustrations are subject to change without notice.



## PRESSURE BOOSTING SYSTEM (FVHS - E SERIES)

SYSTEM OVER ALL DIMENSIONS



SYSTEM MODEL:- FVS 32-90m<sup>3</sup>/hr(4 PUMPS)

PUMP MODEL	MOTOR POWER		S/D Manifold Pipe size in inches	DIMENSION IN mm			SYSTEM TYPE	
	kW	HP		L	W	H		
FVHS-32/01ATR	1.5	2	8"	1545	1670	1006	*	
FVHS-32/01TR	2.2	3		1545	1670	1006	*	
FVHS-32/02BTR	3	4		1545	1670	1010	**	
FVHS-32/02ATR	4	5.5		1545	1670	1044	**	
FVHS-32/02TR	4	5.5		1545	1670	1044	**	
FVHS-32/03BTR	5.5	7.5		1545	1670	1202	**	
FVHS-32/03TR	5.5	7.5		1545	1670	1202	**	
FVHS-32/04BDR	7.5	10		1920	1670	1306	*	
FVHS-32/04DR	7.5	10		1920	1670	1306	*	
FVHS-32/05BDR	11	15		1920	1670	1531	**	
FVHS-32/05DR	11	15		1920	1670	1531	**	
FVHS-32/06BDR	11	15		1920	1670	1601	**	
FVHS-32/06DR	11	15		1920	1670	1601	**	
FVHS-32/07BDR	15	20		1920	1670	1671	**	
FVHS-32/07DR	15	20		1920	1670	1671	**	
FVHS-32/08BDR	15	20		1920	1670	1741	**	
FVHS-32/08DR	15	20		1920	1670	1741	**	
FVHS-44/01ATR	3	4		10"	1670	1550	981	*
FVHS-44/01TR	4	5.5			1670	1550	1003	**
FVHS-44/02BTR	5.5	7.5			1670	1550	1114	**
FVHS-44/02DR	7.5	10	1940		1550	1281	*	
FVHS-44/03BDR	11	15	1940		1550	1414	**	
FVHS-44/03DR	11	15	1940		1550	1414	**	
FVHS-44/04BDR	15	20	1940		1550	1494	**	
FVHS-44/04DR	15	20	1940		1550	1494	**	
FVHS-44/05BDR	18.5	25	1940		1550	1618	**	
FVHS-44/05DR	18.5	25	1940		1550	1618	**	
FVHS-66/01ATR	4	5.5	10"		1670	1925	1053	**
FVHS-66/01TR	5.5	7.5			1670	1925	1084	**
FVHS-66/02BDR	7.5	10			1915	1925	1331	*
FVHS-66/02ADR	11	15			1915	1925	1331	*
FVHS-66/02DR	11	15			1915	1925	1331	*
FVHS-66/03BDR	15	20			1915	1925	1464	**
FVHS-66/03ADR	15	20		1915	1925	1464	**	
FVHS-66/03DR	18.5	25		1915	1925	1508	**	
FVHS-66/04BDR	18.5	25		1915	1925	1588	**	
FVHS-90/01ATR	5.5	7.5		1710	1945	1092	**	
FVHS-90/01DR	7.5	10		1950	1945	1331	*	
FVHS-90/02ADR	11	15		1950	1945	1404	**	
FVHS-90/02DR	15	20		1950	1945	1404	**	
FVHS-90/03ADR	18.5	25		1950	1945	1540	**	

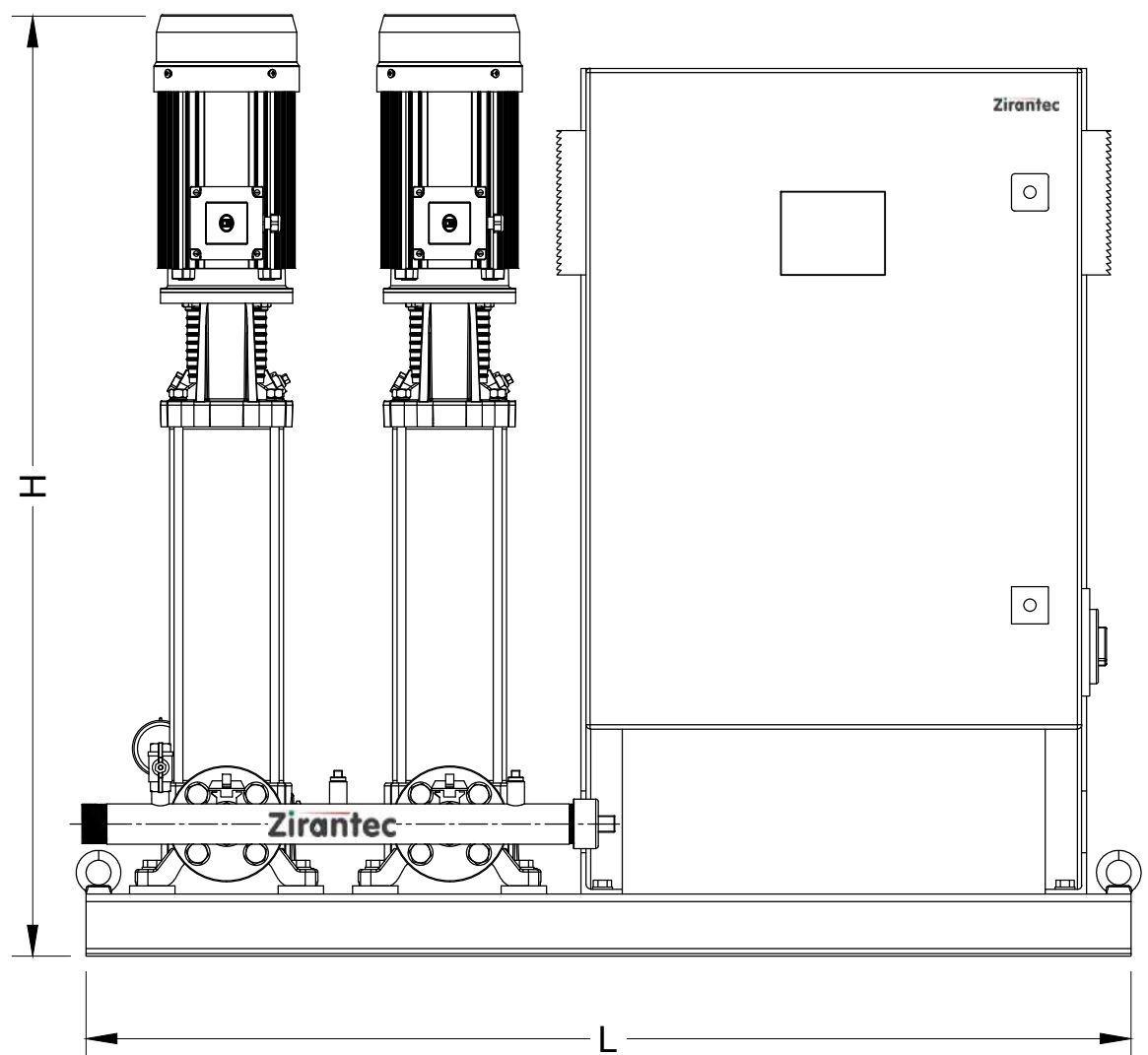
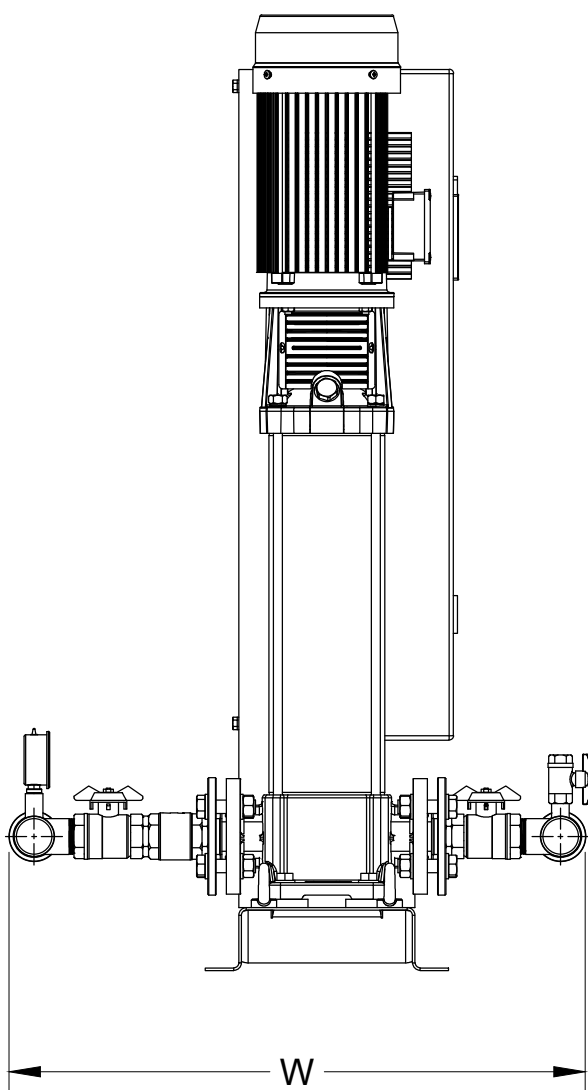
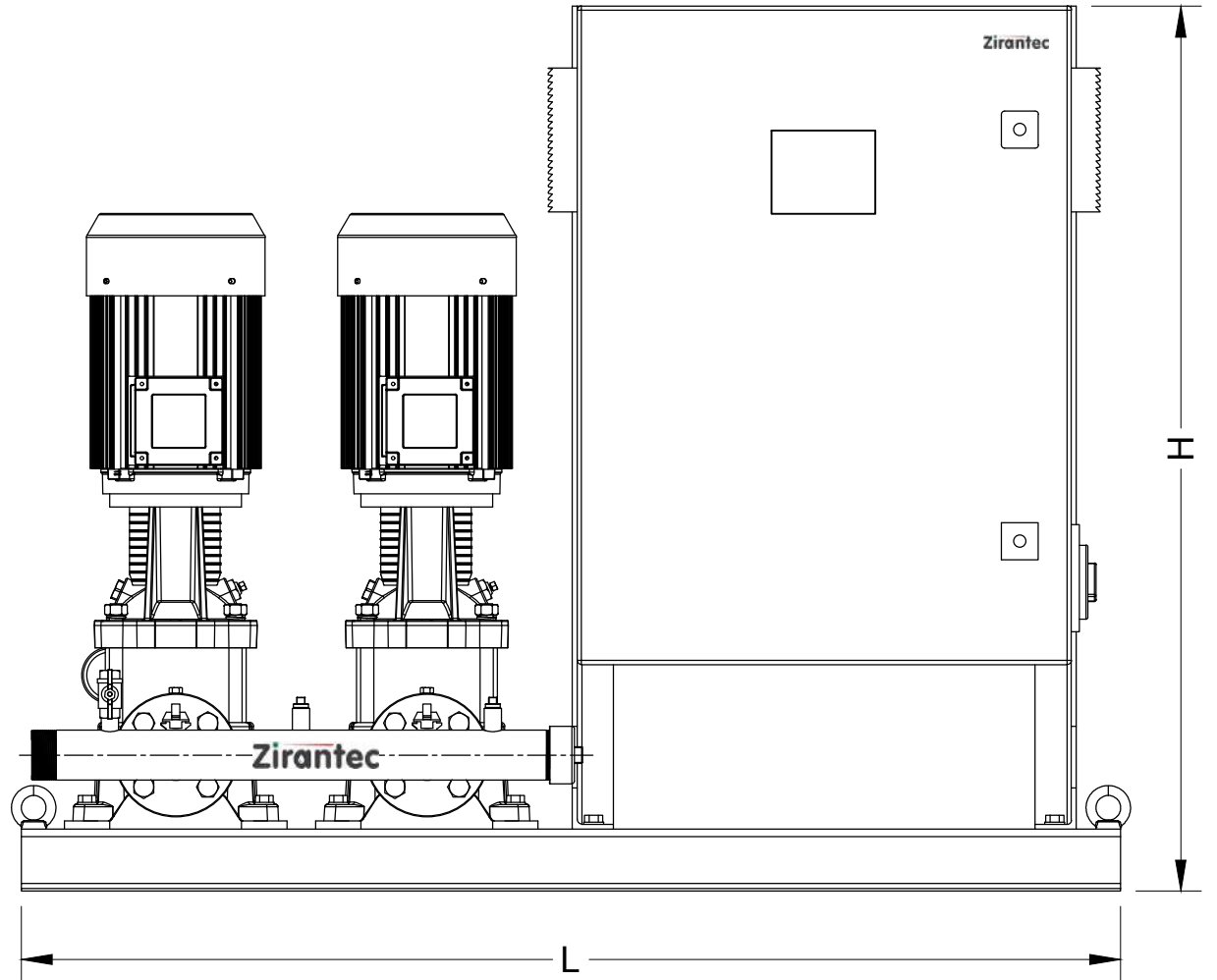
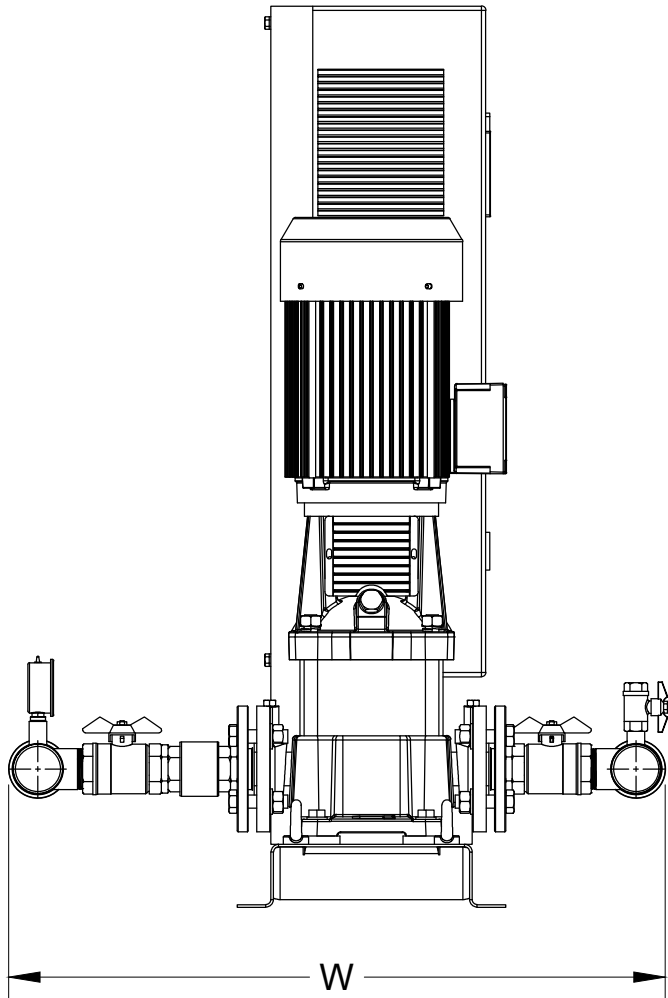
In view of continuous developments, The Information / Specifications / Descriptions / Illustrations are subject to change without notice.

# PRESSURE BOOSTING SYSTEM (FVHS - P SERIES)

## SYSTEM OVER ALL DIMENSIONS

# Zirantec

SYSTEM MODEL:- FVS 2-10m<sup>3</sup>/hr(2 PUMPS)



**NOTE:-**

1. PRODUCT PICTURE MAY DIFFER FROM ACTUAL PRODUCT
2. PUMP DIMENSION REFER IN PUMP CATALOG

## PRESSURE BOOSTING SYSTEM (FVHS - P SERIES)

### SYSTEM OVER ALL DIMENSIONS



**SYSTEM MODEL:- FVS 2-10m<sup>3</sup>/hr(2 PUMPS)**

PUMP MODRELS	MOTOR POWER		S/D MANIFOLD PIPE SIZE IN INCHES	System Dimensions			System Type
	Kw	HP		L	W	H	
FVHS-2/02TR	0.37	0.5	1.5"	1265	697	1075	*
FVHS-2/03TR	0.37	0.5		1265	697	1075	*
FVHS-2/04TR	0.55	0.75		1265	697	1075	*
FVHS-2/05TR	0.55	0.75		1265	697	1075	*
FVHS-2/06TR	0.75	1		1265	697	1075	*
FVHS-2/07TR	0.75	1		1265	697	1075	*
FVHS-2/09TR	1.1	1.5		1265	697	1075	*
FVHS-2/11TR	1.1	1.5		1265	697	1075	*
FVHS-2/13TR	1.5	2		1265	697	1075	*
FVHS-2/15TR	1.5	2		1265	697	1075	*
FVHS-2/18TR	2.2	3		1265	697	1075	*
FVHS-2/22TR	2.2	3		1265	697	1075	*
FVHS-2/26TR	3	4		1265	697	1128	**
FVHS-4/03TR	0.55	0.75		1265	697	1075	*
FVHS-4/04TR	0.75	1		1265	697	1075	*
FVHS-4/05TR	1.1	1.5		1265	697	1075	*
FVHS-4/06TR	1.1	1.5		1265	697	1075	*
FVHS-4/07TR	1.5	2		1265	697	1075	*
FVHS-4/08TR	1.5	2		1265	697	1075	*
FVHS-4/10TR	2.2	3		1265	697	1075	*
FVHS-4/12TR	2.2	3		1265	697	1075	*
FVHS-4/14TR	3	4		1265	697	1075	*
FVHS-4/16TR	3	4	1265	697	1119	**	
FVHS-4/19TR	4	5.5	1265	697	1220	**	
FVHS-4/22TR	4	5.5	1265	697	1301	**	
FVHS-10/01TR	0.37	0.50	2"	1335	785	1075	*
FVHS-10/02TR	0.75	1		1335	785	1075	*
FVHS-10/03TR	1.1	1.50		1335	785	1075	*
FVHS-10/04TR	1.5	2		1335	785	1075	*
FVHS-10/05TR	2.2	3		1335	785	1075	*
FVHS-10/06TR	2.2	3		1335	785	1075	*
FVHS-10/07TR	3	4		1335	785	1075	*
FVHS-10/08TR	3	4		1335	785	1075	*
FVHS-10/09TR	3	4		1335	785	1075	*
FVHS-10/10TR	4.0	5.50		1335	785	1075	*
FVHS-10/12TR	4.0	5.50		1335	785	1095	**
FVHS-10/14TR	5.5	7.50		1380	785	1216	**
FVHS-10/16TR	5.5	7.50		1380	785	1276	**
FVHS-10/18TR	7.5	10		1580	785	1375	**
FVHS-10/20TR	7.5	10	1580	785	1435	**	
FVHS-10/22TR	7.5	10	1580	785	1495	**	

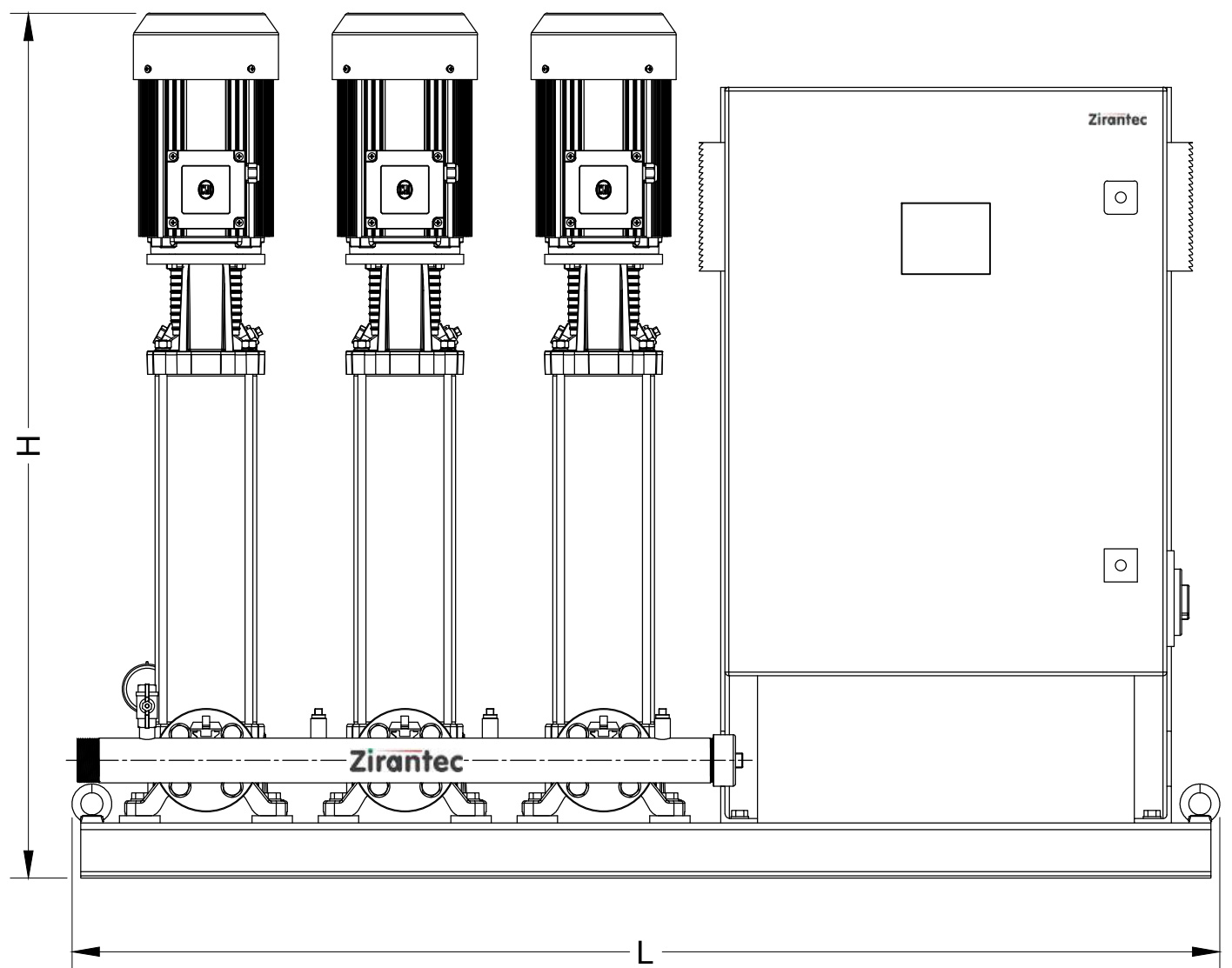
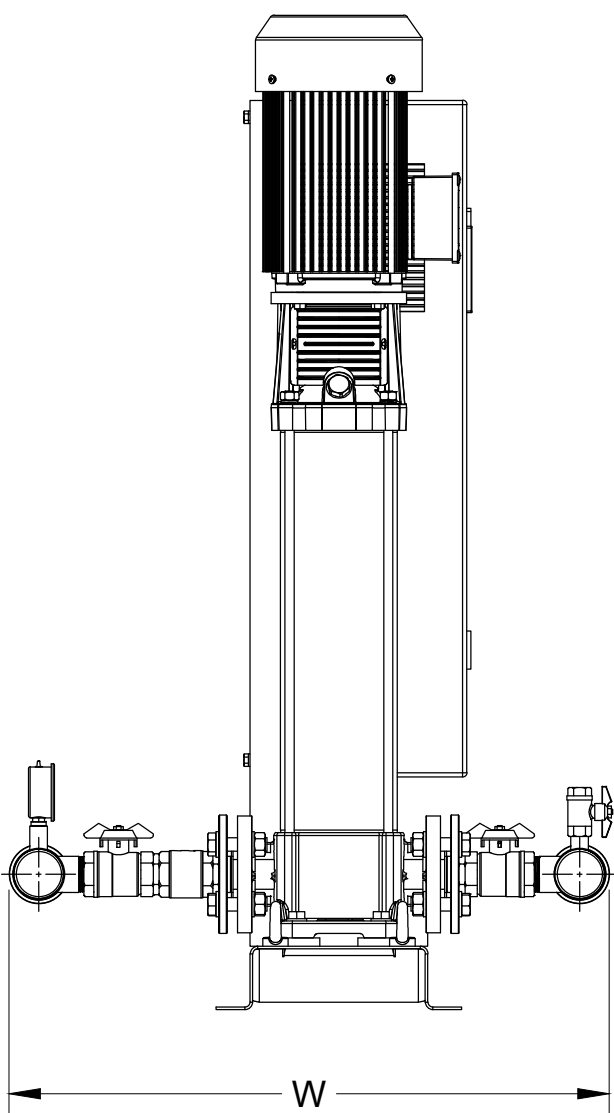
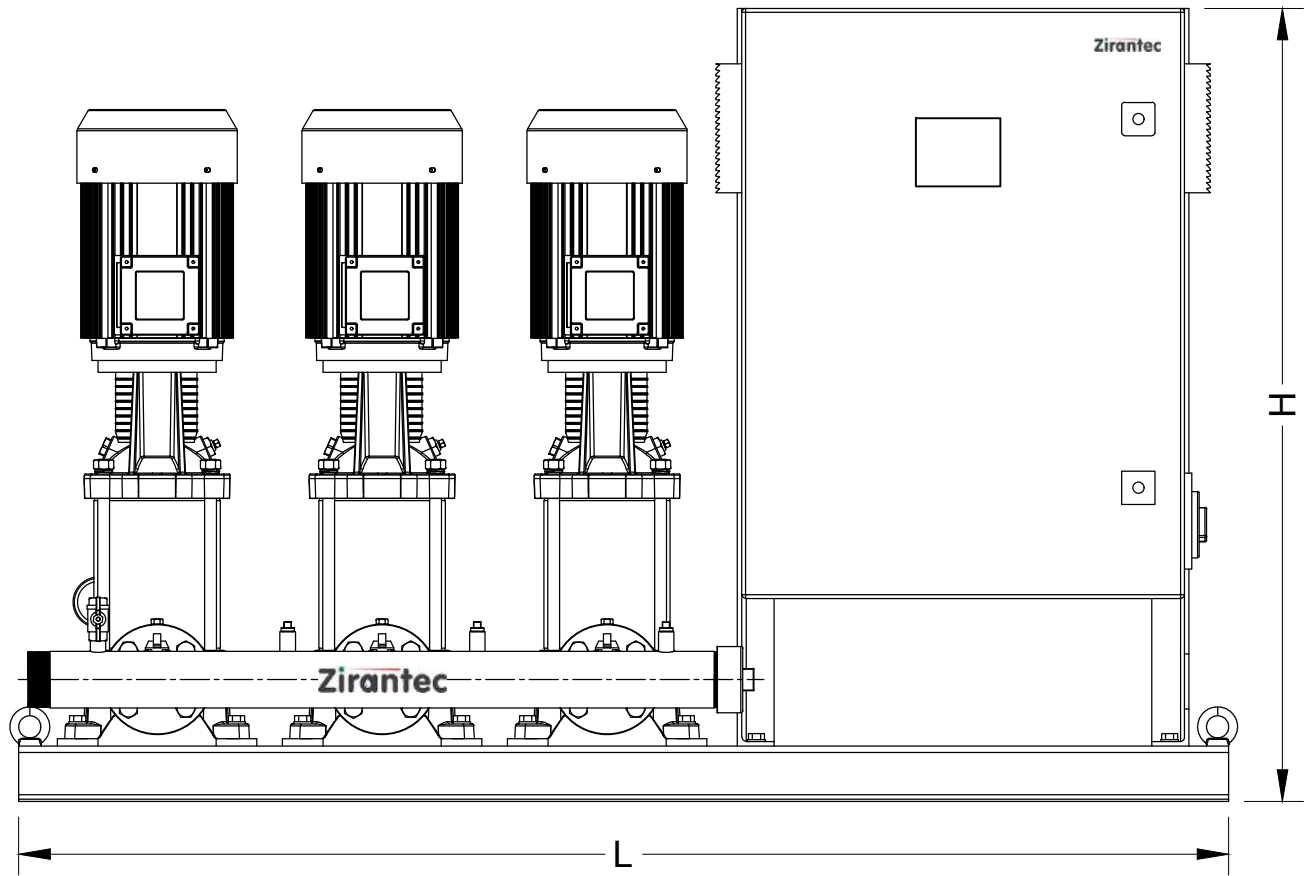
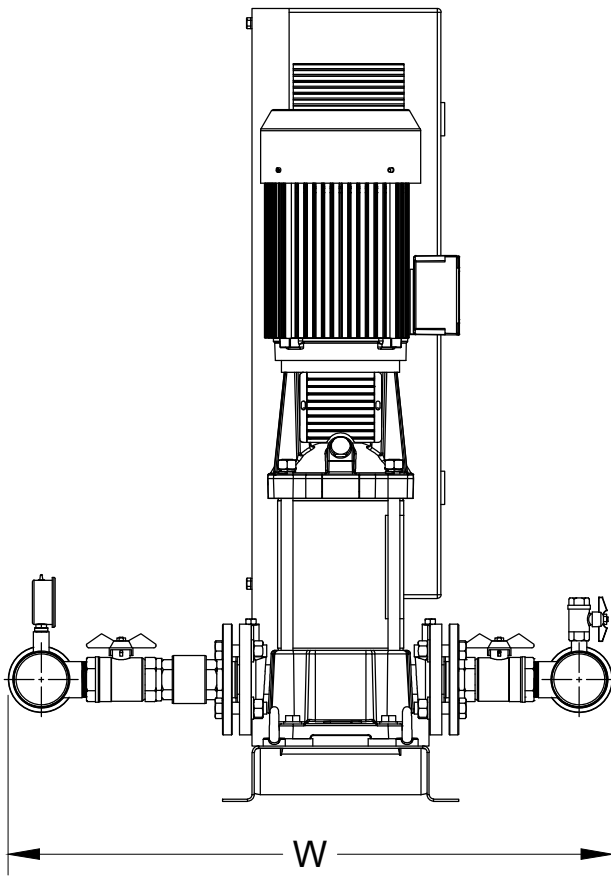
In view of continuous developments, The Information / Specifications / Descriptions / Illustrations are subject to change without notice.

# PRESSURE BOOSTING SYSTEM (FVHS - P SERIES)

## SYSTEM OVER ALL DIMENSIONS

# Zirantec

SYSTEM MODEL:- FVS 2-10m<sup>3</sup>/hr(3 PUMPS)



**NOTE:-**

- 1. PRODUCT PICTURE MAY DIFFER FROM ACTUAL PRODUCT
- 2. PUMP DIMENSION REFER IN PUMP CATALOG

**PRESSURE BOOSTING SYSTEM (FVHS - P SERIES)**

**SYSTEM OVER ALL DIMENSIONS**



**SYSTEM MODEL:- FVS 2-10m<sup>3</sup>/hr(3 PUMPS)**

PUMP MODRELS	MOTOR POWER		S/D MANIFOLD PIPE SIZE IN INCHES	System Dimensions			System Type
	Kw	HP		L	W	H	
FVHS-2/02TR	0.37	0.5	2"	1559	713	1075	*
FVHS-2/03TR	0.37	0.5		1559	713	1075	*
FVHS-2/04TR	0.55	0.75		1559	713	1075	*
FVHS-2/05TR	0.55	0.75		1559	713	1075	*
FVHS-2/06TR	0.75	1		1559	713	1075	*
FVHS-2/07TR	0.75	1		1559	713	1075	*
FVHS-2/09TR	1.1	1.5		1559	713	1075	*
FVHS-2/11TR	1.1	1.5		1559	713	1075	*
FVHS-2/13TR	1.5	2		1559	713	1075	*
FVHS-2/15TR	1.5	2		1559	713	1075	*
FVHS-2/18TR	2.2	3		1559	713	1075	*
FVHS-2/22TR	2.2	3		1559	713	1075	*
FVHS-2/26TR	3	4		1559	713	1128	**
FVHS-4/03TR	0.55	0.75		1559	713	1075	*
FVHS-4/04TR	0.75	1		1559	713	1075	*
FVHS-4/05TR	1.1	1.5		1559	713	1075	*
FVHS-4/06TR	1.1	1.5		1559	713	1075	*
FVHS-4/07TR	1.5	2		1559	713	1075	*
FVHS-4/08TR	1.5	2		1559	713	1075	*
FVHS-4/10TR	2.2	3		1559	713	1075	*
FVHS-4/12TR	2.2	3		1559	713	1075	*
FVHS-4/14TR	3	4		1559	713	1075	*
FVHS-4/16TR	3	4	1559	713	1119	**	
FVHS-4/19TR	4	5.5	1559	713	1220	**	
FVHS-4/22TR	4	5.5	1559	713	1301	**	
FVHS-10/01TR	0.37	0.50	2.5"	1640	820	1075	*
FVHS-10/02TR	0.75	1		1640	820	1075	*
FVHS-10/03TR	1.1	1.50		1640	820	1075	*
FVHS-10/04TR	1.5	2		1640	820	1075	*
FVHS-10/05TR	2.2	3		1640	820	1075	*
FVHS-10/06TR	2.2	3		1640	820	1075	*
FVHS-10/07TR	3	4		1640	820	1075	*
FVHS-10/08TR	3	4		1640	820	1075	*
FVHS-10/09TR	3	4		1640	820	1075	*
FVHS-10/10TR	4.0	5.50		1640	820	1075	*
FVHS-10/12TR	4.0	5.50		1640	820	1095	**
FVHS-10/14TR	5.5	7.50		1710	820	1216	**
FVHS-10/16TR	5.5	7.50		1710	820	1276	**
FVHS-10/18TR	7.5	10		1910	820	1375	**
FVHS-10/20TR	7.5	10		1910	820	1435	**
FVHS-10/22TR	7.5	10		1910	820	1495	**

In view of continuous developments, The Information / Specifications / Descriptions / Illustrations are subject to change without notice.

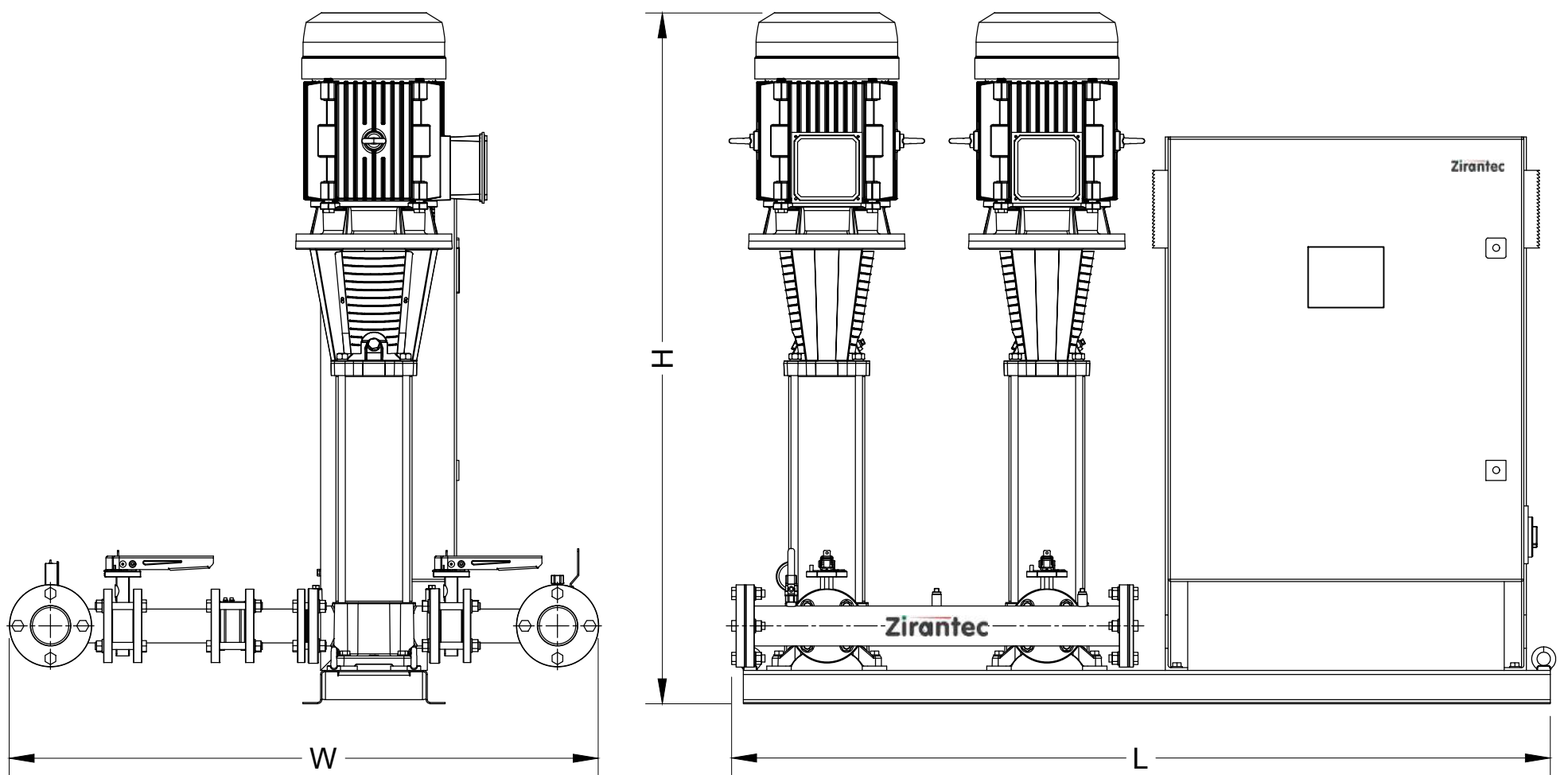
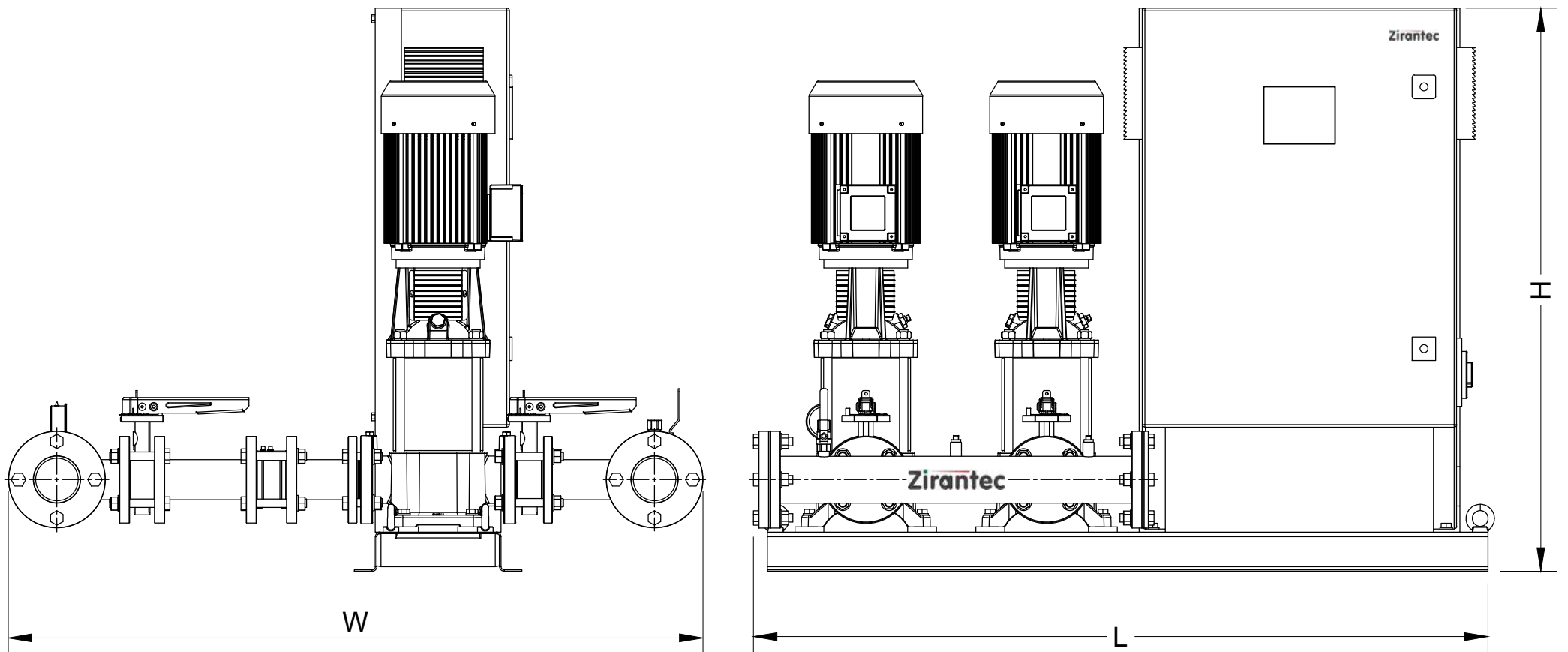


# PRESSURE BOOSTING SYSTEM (FVHS - P SERIES)

## SYSTEM OVER ALL DIMENSIONS

# Zirantec

SYSTEM MODEL:- FVS 15&20m<sup>3</sup>/hr(2 PUMPS)



**NOTE:-**

1. PRODUCT PICTURE MAY DIFFER FROM ACTUAL PRODUCT
2. PUMP DIMENSION REFER IN PUMP CATALOG

**PRESSURE BOOSTING SYSTEM (FVHS - P SERIES)**

**SYSTEM OVER ALL DIMENSIONS**



**SYSTEM MODEL:- FVS 15&20m<sup>3</sup>/hr(2 PUMPS)**

PUMP MODRELS	MOTOR POWER		S/D MANIFOLD PIPE SIZE IN INCHES	System Dimensions			System Type
	Kw	HP		L	W	H	
FVHS-15/01TR	1.1	1.50	3"	1405	1330	1075	*
FVHS-15/02TR	2.2	3		1405	1330	1075	*
FVHS-15/03TR	3.0	4		1405	1330	1075	*
FVHS-15/04TR	4.0	5.50		1405	1330	1075	*
FVHS-15/05TR	4.0	5.50		1405	1330	1075	*
FVHS-15/06TR	5.5	7.50		1450	1330	1081	**
FVHS-15/07TR	5.5	7.50		1450	1330	1126	**
FVHS-15/08TR	7.5	10		1650	1330	1275	*
FVHS-15/09TR	7.5	10		1650	1330	1275	*
FVHS-15/10TR	11.0	15		1650	1330	1466	**
FVHS-15/12TR	11.0	15		1650	1330	1556	**
FVHS-20/01TR	1.1	1.5		3"	1402	1326	1075
FVHS-20/02TR	2.2	3	1402		1326	1075	*
FVHS-20/03TR	4	5.5	1402		1326	1075	*
FVHS-20/04TR	5.5	7.5	1447		1326	1075	*
FVHS-20/05TR	5.5	7.5	1447		1326	1075	*
FVHS-20/06DR	7.5	10	1647		1326	1275	*
FVHS-20/07DR	7.5	10	1647		1326	1275	*
FVHS-20/08DR	11	15	1842		1326	1376	**
FVHS-20/10DR	11	15	1842		1326	1510	**
FVHS-20/12DR	15	20	1842		1326	1644	**

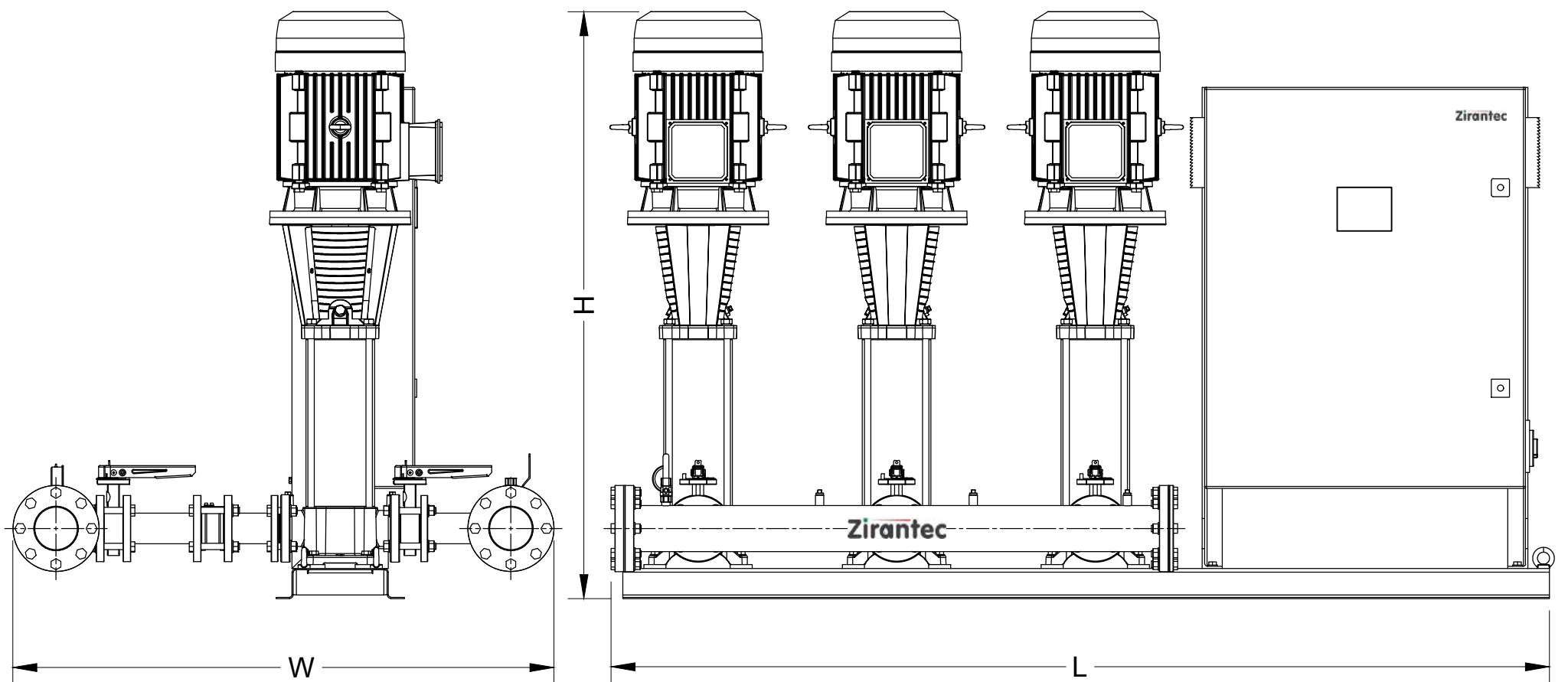
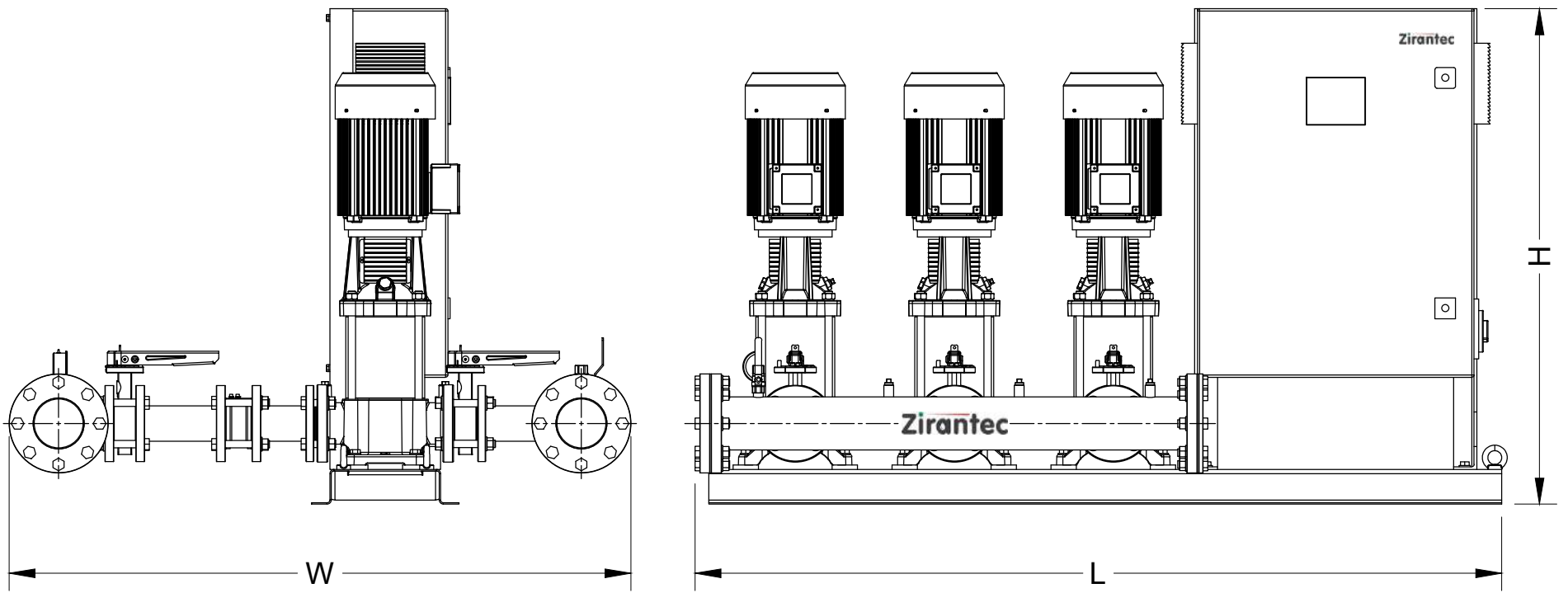
In view of continuous developments, The Information / Specifications / Descriptions / Illustrations are subject to change without notice.

# PRESSURE BOOSTING SYSTEM (FVHS - P SERIES)

## SYSTEM OVER ALL DIMENSIONS

# Zirantec

SYSTEM MODEL:- FVS 15&20m<sup>3</sup>/hr(3 PUMPS)



**NOTE:-**

1. PRODUCT PICTURE MAY DIFFER FROM ACTUAL PRODUCT
2. PUMP DIMENSION REFER IN PUMP CATALOG

**PRESSURE BOOSTING SYSTEM (FVHS - P SERIES)**

**SYSTEM OVER ALL DIMENSIONS**



**SYSTEM MODEL:- FVS 15&20m<sup>3</sup>/hr(3 PUMPS)**

PUMP MODRELS	MOTOR POWER		S/D MANIFOLD PIPE SIZE IN INCHES	System Dimensions			System Type
	Kw	HP		L	W	H	
FVHS-15/01TR	1.1	1.50	4"	1750	1390	1075	*
FVHS-15/02TR	2.2	3		1750	1390	1075	*
FVHS-15/03TR	3.0	4		1750	1390	1075	*
FVHS-15/04TR	4.0	5.50		1750	1390	1075	*
FVHS-15/05TR	4.0	5.50		1750	1390	1075	*
FVHS-15/06TR	5.5	7.50		1815	1390	1081	**
FVHS-15/07TR	5.5	7.50		1815	1390	1126	**
FVHS-15/08TR	7.5	10		2015	1390	1275	*
FVHS-15/09TR	7.5	10		2015	1390	1275	*
FVHS-15/10TR	11.0	15		2340	1390	1466	**
FVHS-15/12TR	11.0	15		2340	1390	1556	**
FVHS-20/01TR	1.1	1.5		4"	1750	1390	1075
FVHS-20/02TR	2.2	3	1750		1390	1075	*
FVHS-20/03TR	4	5.5	1750		1390	1075	*
FVHS-20/04TR	5.5	7.5	1815		1390	1075	*
FVHS-20/05TR	5.5	7.5	1815		1390	1075	*
FVHS-20/06DR	7.5	10	2015		1390	1275	*
FVHS-20/07DR	7.5	10	2015		1390	1275	*
FVHS-20/08DR	11	15	2340		1390	1376	**
FVHS-20/10DR	11	15	2340		1390	1510	**
FVHS-20/12DR	15	20	2340		1390	1644	**

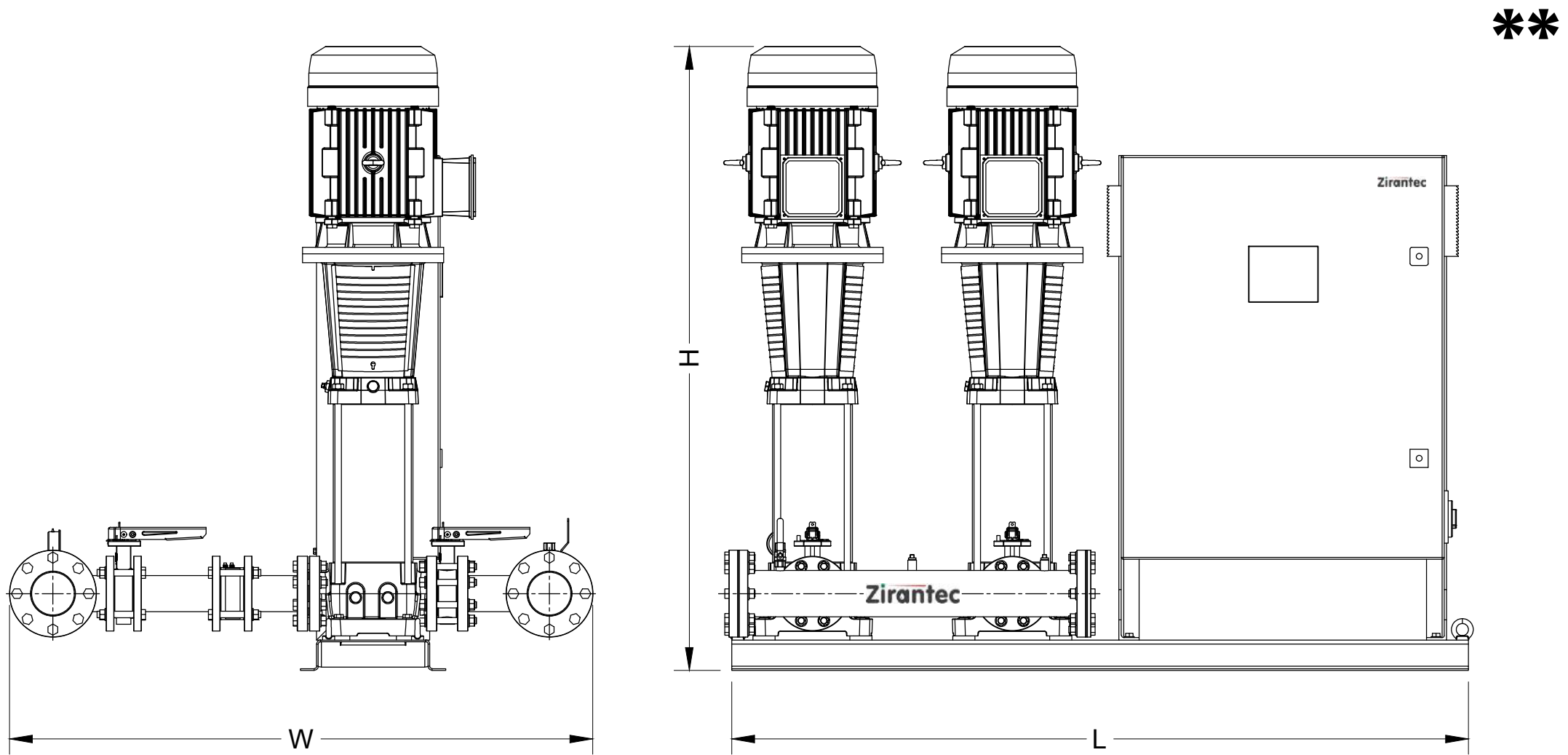
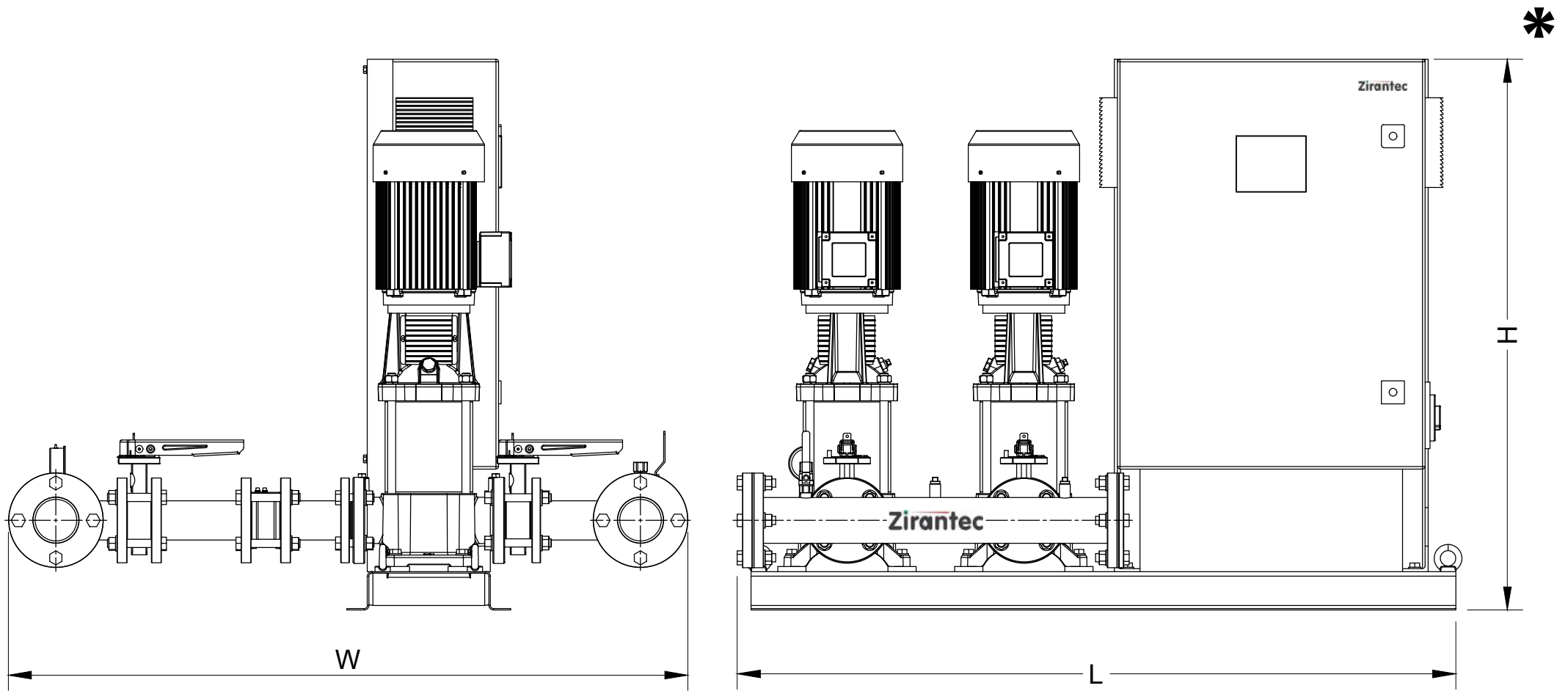
In view of continuous developments, The Information / Specifications / Descriptions / Illustrations are subject to change without notice.

# PRESSURE BOOSTING SYSTEM (FVHS - P SERIES)

## SYSTEM OVER ALL DIMENSIONS

# Zirantec

SYSTEM MODEL:- FVS-32m<sup>3</sup>/hr(2 PUMPS)



**NOTE:-**

1. PRODUCT PICTURE MAY DIFFER FROM ACTUAL PRODUCT
2. PUMP DIMENSION REFER IN PUMP CATALOG



**PRESSURE BOOSTING SYSTEM (FVHS - P SERIES)**

**SYSTEM OVER ALL DIMENSIONS**



**SYSTEM MODEL:- FVS-32m<sup>3</sup>/hr(2 PUMPS)**

PUMP MODRELS	MOTOR POWER		S/D MANIFOLD PIPE SIZE IN INCHES	System Dimensions			System Type
	Kw	HP		L	W	H	
FVHS-32/01ATR	1.5	2	4"	1425	1446	1075	*
FVHS-32/01TR	2.2	3		1425	1446	1075	*
FVHS-32/02BTR	3	4		1425	1446	1075	*
FVHS-32/02ATR	4	5.5		1425	1446	1075	*
FVHS-32/02TR	4	5.5		1425	1446	1075	*
FVHS-32/03BTR	5.5	7.5		1440	1446	1177	**
FVHS-32/03TR	5.5	7.5		1440	1446	1177	**
FVHS-32/04BDR	7.5	10		1657	1446	1275	*
FVHS-32/04DR	7.5	10		1657	1446	1275	*
FVHS-32/05BDR	11	15		1825	1446	1481	**
FVHS-32/05DR	11	15		1825	1446	1481	**
FVHS-32/06BDR	11	15		1825	1446	1551	**
FVHS-32/06DR	11	15		1825	1446	1551	**
FVHS-32/07BDR	15	20		1825	1446	1621	**
FVHS-32/07DR	15	20		1825	1446	1621	**
FVHS-32/08BDR	15	20		1825	1446	1691	**
FVHS-32/08DR	15	20		1825	1446	1691	**

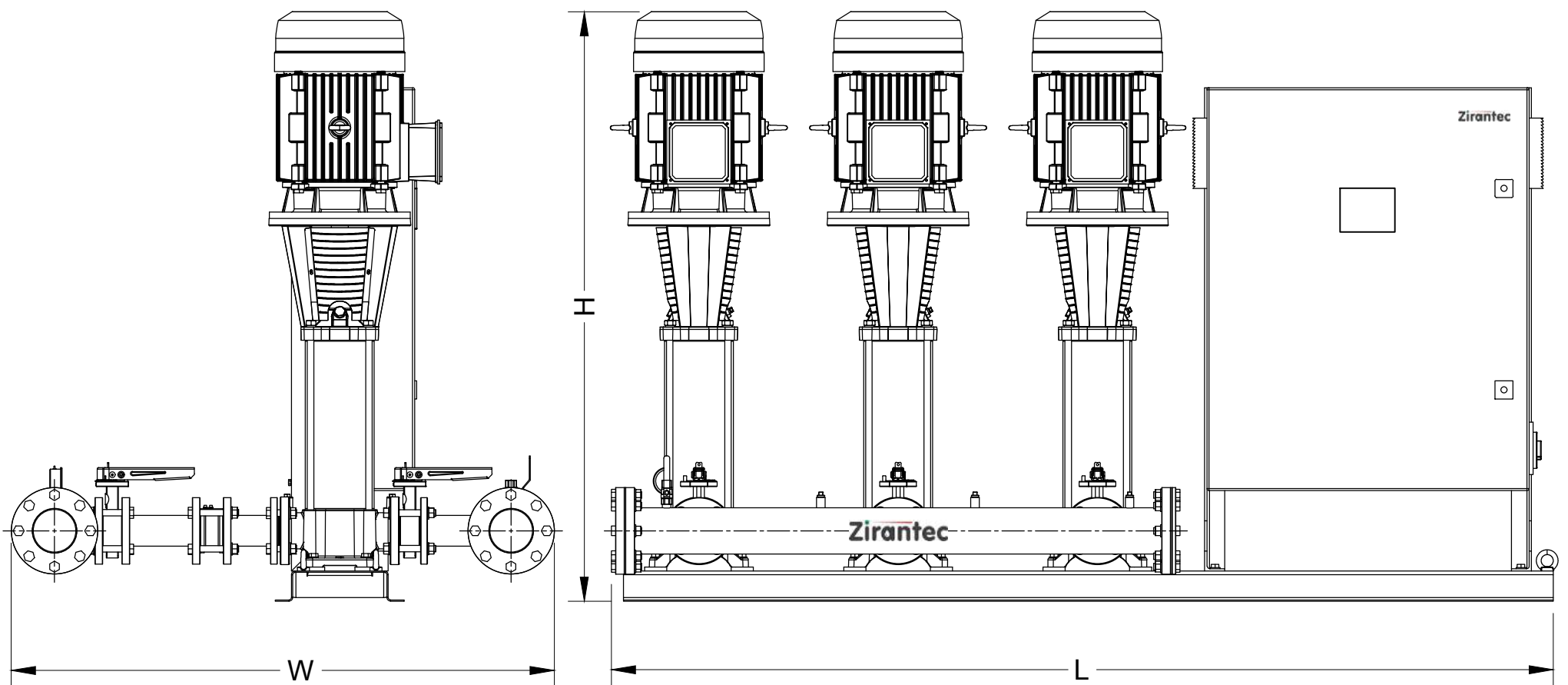
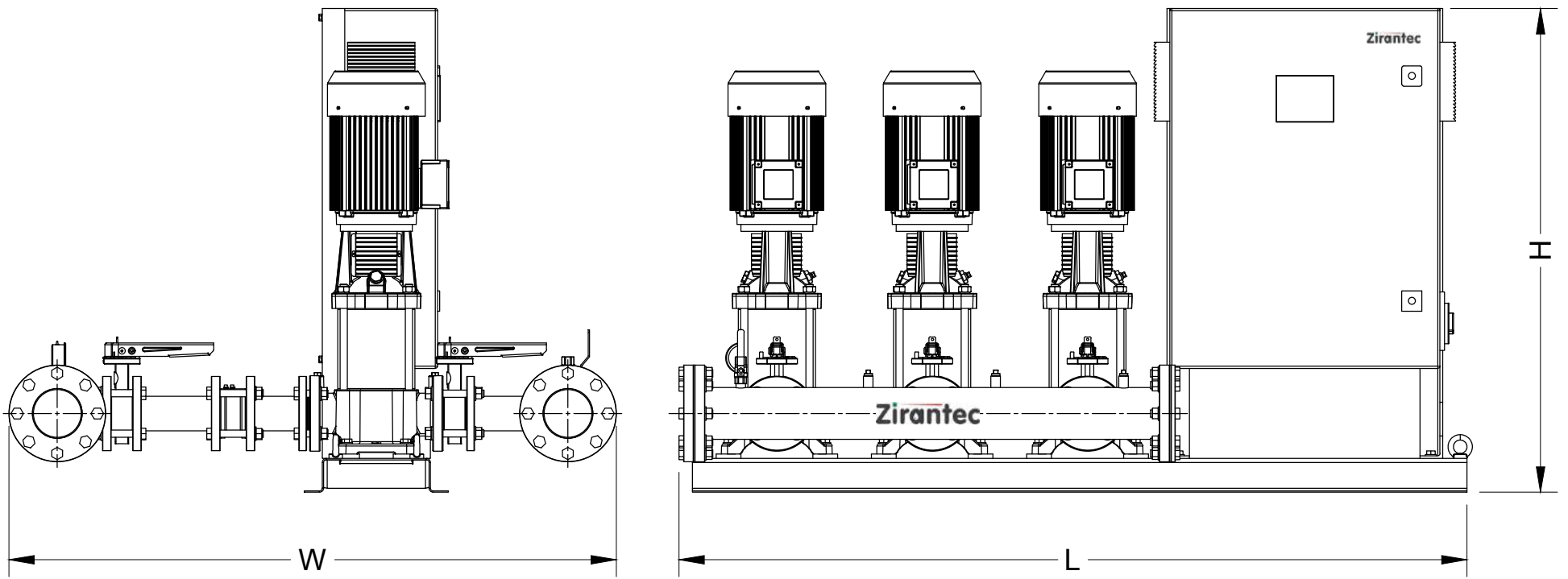
In view of continuous developments, The Information / Specifications / Descriptions / Illustrations are subject to change without notice.

# PRESSURE BOOSTING SYSTEM (FVHS - P SERIES)

## SYSTEM OVER ALL DIMENSIONS



SYSTEM MODEL:- FVS-32m<sup>3</sup>/hr(3 PUMPS)



**NOTE:-**

- 1. PRODUCT PICTURE MAY DIFFER FROM ACTUAL PRODUCT
- 2. PUMP DIMENSION REFER IN PUMP CATALOG

**PRESSURE BOOSTING SYSTEM (FVHS - P SERIES)**

**SYSTEM OVER ALL DIMENSIONS**



**SYSTEM MODEL:- FVS-32m<sup>3</sup>/hr(3 PUMPS)**

PUMP MODELS	MOTOR POWER		S/D MANIFOLD PIPE SIZE IN INCHES	System Dimensions			System Type
	Kw	HP		L	W	H	
FVHS-32/01ATR	1.5	2	5"	1812	1513	1075	*
FVHS-32/01TR	2.2	3		1812	1513	1075	*
FVHS-32/02BTR	3	4		1812	1513	1075	*
FVHS-32/02ATR	4	5.5		1812	1513	1075	*
FVHS-32/02TR	4	5.5		1812	1513	1075	*
FVHS-32/03BTR	5.5	7.5		1827	1513	1177	**
FVHS-32/03TR	5.5	7.5		1827	1513	1177	**
FVHS-32/04BDR	7.5	10		2027	1513	1275	*
FVHS-32/04DR	7.5	10		2027	1513	1275	*
FVHS-32/05BDR	11	15		2337	1513	1481	**
FVHS-32/05DR	11	15		2337	1513	1481	**
FVHS-32/06BDR	11	15		2337	1513	1551	**
FVHS-32/06DR	11	15		2337	1513	1551	**
FVHS-32/07BDR	15	20		2337	1513	1621	**
FVHS-32/07DR	15	20		2337	1513	1621	**
FVHS-32/08BDR	15	20		2337	1513	1691	**
FVHS-32/08DR	15	20	2337	1513	1691	**	

In view of continuous developments, The Information / Specifications / Descriptions / Illustrations are subject to change without notice.