

PERIPHERAL AND CENTRIFUGAL PUMPS 50Hz





ZIRANTEC products are manufactured by well qualified and experienced Italian Pump Engineers in state of the art manufacturing facilities in Italy

CERTIFICATION



ZIRANTEC Pumps & Motors are from the house of **Fabbrica Italiana Pompe Sommergebili S.r.l.** a four decades old Italian company of high repute, offering complete waste water solutions around the world. Its current product portfolio includes world class Waste Water Pumps of various types, Multistage Centrifugal Pressure Booster Pumps, Borehole Submersible Pumps & Motors, End Suction Centrifugal Pumps, Industrial Pumps for various applications.

Founded as early as 1978 in Rozzano, South of Milan, Italy by Mr.Orfeo Agostini, the company has witnessed steady growth and market expansion continuously ever since. In these four decades of existence, the company has carved a niche for itself in the waste water and sewage pump market in Italy and other countries. Its products are employed in Municipal, Domestic and Industrial applications. The Company is well known for the unique and robust designs of its products and their workmanship. Due to its superior quality ZIRANTEC products are also exported to many European, African and Asian countries.

ZIRANTEC's products are conceived, designed and manufactured by well qualified and experienced Italian Pump Engineers in state of the art manufacturing facilities in Italy. These manufacturing plants are accredited with UNI EN ISO 9001:2008 Certification.

Over the years, the company has metamorphosed and ventured into manufacturing of high quality water pumps, for domestic, agricultural and industrial applications. In the due process, Fabbrica Italiana Pompe Sommergebili S.r.l. has shed its image of an exclusive sewage and waste water pumps manufacturer to a complete pump production company with an ability to manufacture diverse kinds of pumps for different applications.

PERIPHERAL PUMPS

FPE SERIES



SPECIFICATIONS

Power Range	: Upto - 0,75 kW
Speed	: 2900 rpm
Version	: Single phase, 230V, 50Hz, A.C. Supply (Permanent split capacitor-PSC)
Type of Duty	: S1 (Continuous)
Degree of Protection	: IP 54
Class of Insulation	: 'B'
Suction and Delivery Size	: 25 x 25mm

PUMP OPERATING LIMITS

Maximum Suction Lift	: Upto 7m
Flow Rate	: Upto 2,2 m ³ /h
Maximum Head	: Upto 61m
Maximum Operating Pressure	: 6 bar
Maximum Liquid Temperature	: Upto 40°C.
Maximum Ambient Temperature	: Upto 50°C.

MATERIALS OF CONSTRUCTION

Pump Casing	: Cast iron
Motor Frame	: Aluminium
Impeller	: Brass
Pump Bracket	: Cast Iron
Shaft	: S.S. 410
Water Filling Plug	: Brass
Mechanical Seal	: Carbon & Ceramic
'O'Ring	: NBR

These pumps are only suitable for pumping clear, cold, fresh, non-aggressive, non-explosive water without abrasives, solid particles or fibres. Clear cold water shall mean water having the following characteristics.

a)	Temperature	50°C (max.)
b)	Permissible amount of sand	25 gm / m ³ (max.)
c)	Chlorine ion density	500 ppm (max.)
d)	Allowable solids	3000 ppm (max.)
e)	Specific gravity	1,004 (max.)
f)	Hardness (Drinking water)	300 (max.)
g)	Viscosity	1,75 x 10 ⁻⁶ m ² / Sec. (max.)
h)	Turbidity	50 ppm silica scale (max.)
i)	Ph	6,5 to 8,5

FEATURES

- Sturdy and compact.
- Quiet and maintenance free.
- Incorporated with thermal overload protector.
- Dynamically balanced rotating parts

APPLICATIONS

Residential, Gardens, Pressure Boosting for Individual Houses.

In view of continuous developments the information / performance / descriptions / specifications / Illustrations are subject to change without notice.

PERFORMANCE CHART

PUMP MODEL	MOTOR POWER		RATED CURRENT (A) 1Ph 230V	NOMINAL PUMP SIZE IN INCHES (Suc x Del)	SUCTION LIFT IN m	DISCHARGE IN lps / m ³ /h							
	kW	HP				lps	0	0,1	0,2	0,3	0,4	0,5	0,6
FPEm-3N	0,37	0,5	2,5	1" x 1"	7	Total head in metres	40	33	27	18	12	5	
FPEm-7N	0,75	1,0	5,2	1" x 1"	7		61	51	41	31	23	14	6

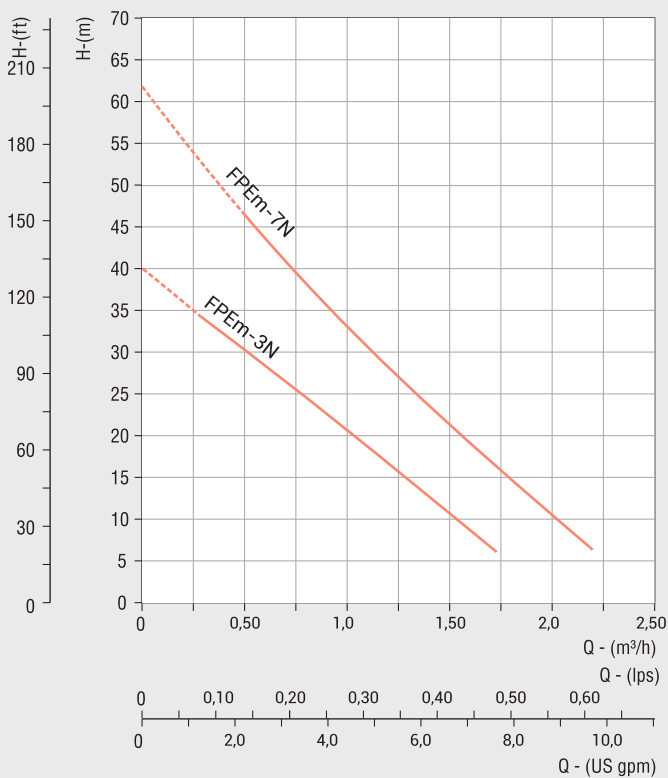
DIMENSIONAL DATA

PUMP MODEL	MOTOR kW	DNs	DNd	L1	L2	L	A	B	C	D	E	H	H1	H2	L3	APPROX NETT WEIGHT kg
FPEm-3N	0,37	1"	1"	61	80	265	118	100	10	10	20	151	138	63	45	5,3
FPEm-7N	0,75	1"	1"	66	90	305	136	112	10	10	21	181	150	73	90	10

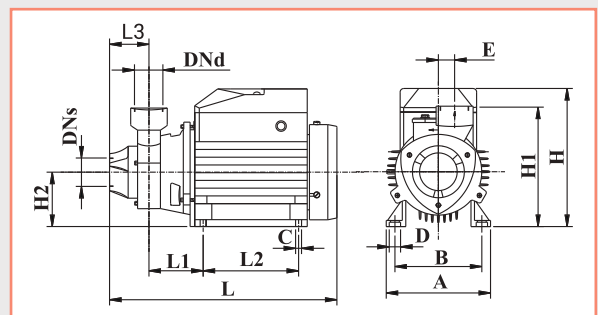
* All Dimensions are in mm.

PERFORMANCE CURVES

FPE SERIES



DIMENSIONAL DRAWING



CENTRIFUGAL MONO BLOCK PUMPS

FCT SERIES



SPECIFICATIONS

Power Range	: Upto - 2,2kW
Speed	: 2900 rpm
Degree of Protection	: IP 44 / IP 54
Class of Insulation	: 'B'
Versions	: Single phase - 230V, 50Hz, A.C. Supply (Permanent split capacitor-PSC) Incorporated with Thermal Overload Protector. Three phase - 380-415V, 50Hz A.C. supply
Type of Duty	: S1 (Continuous).
Nominal Delivery Size	: Upto 80mm
Nominal Suction Size	: Upto 80mm
Connection	: Screw / Flange type (BSP)

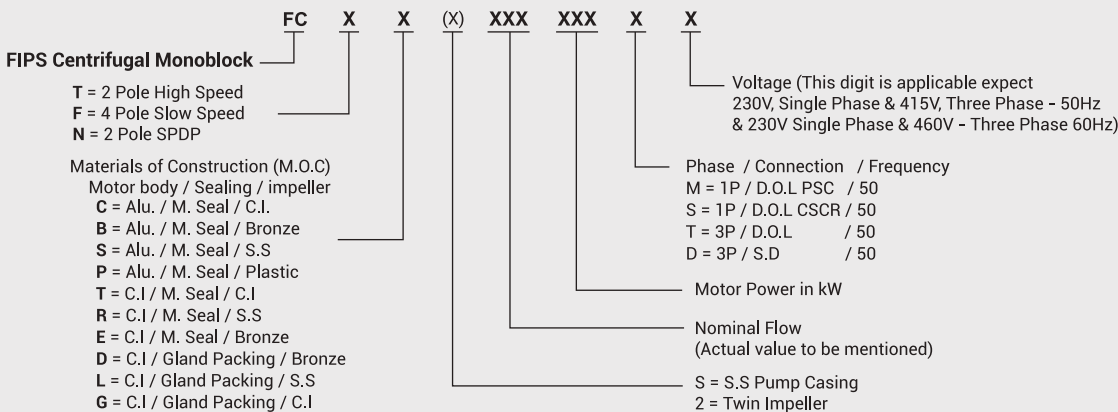
MATERIALS OF CONSTRUCTION

Pump Casing	: Cast Iron
Motor Frame	: Aluminium / Cast Iron
Impeller	: Cast Iron / S.S / Plastic / Bronze
Shaft	: S.S 410 / S.S 304 / Carbon Steel
Sealing	: Mechanical Seal (Carbon & Ceramic)

PUMP OPERATING LIMITS

Maximum Head	: Upto 52,5m
Maximum Suction Lift	: Upto 7m
Maximum Liquid Temperature	: Upto 40°C
Maximum Ambient Temperature	: Upto 50°C

MODEL IDENTIFICATION CODE



FEATURES

- High Operating efficiency resulting in lower power consumption.
- Dynamically balanced rotating parts. Ensure noise and vibration free operation.
- Inbuilt thermal overload protector in all single phase pumps.

APPLICATIONS

Residential, Irrigation, Farms, Utility Water Supply in Industries, General Water Supply, Drip & Sprinkler Irrigation Systems and Water treatment plants.

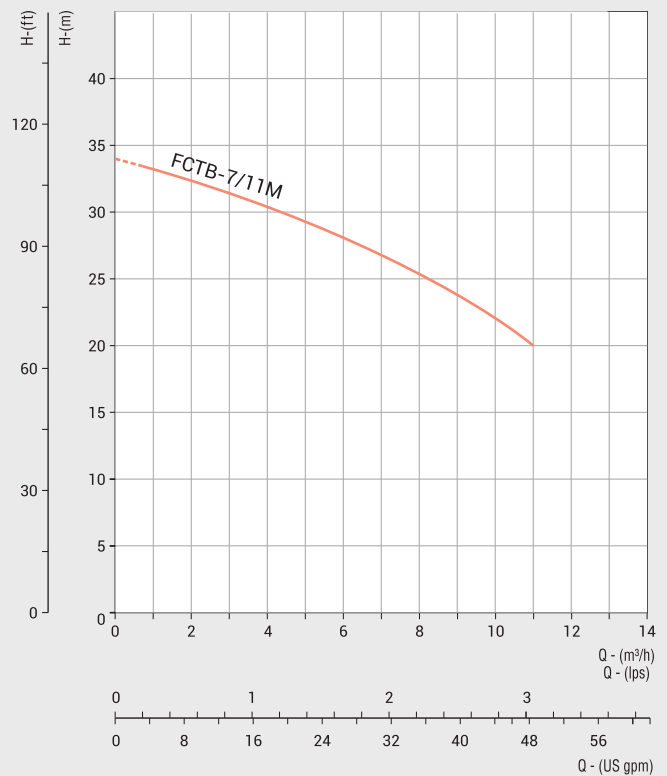
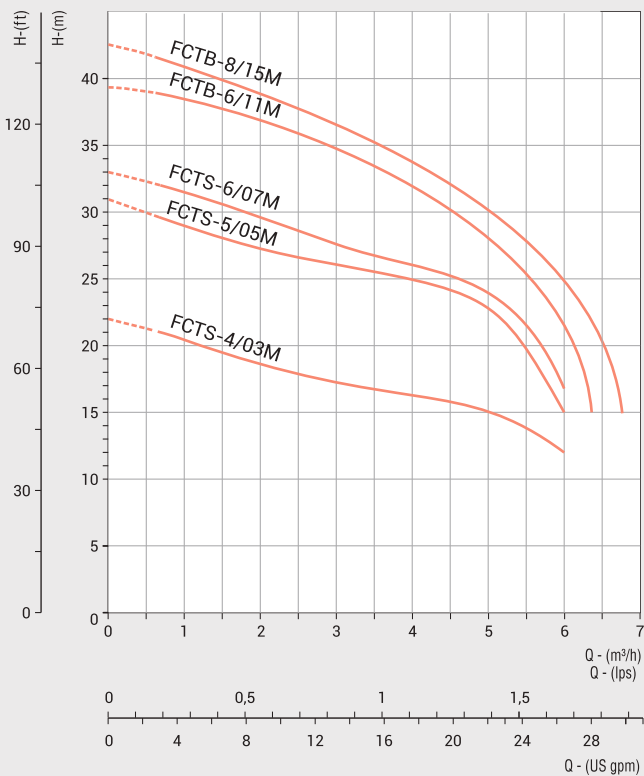
PERFORMANCE CHARTS

FCT SERIES

PUMP MODEL	MOTOR POWER		RATED CURRENT(A)		NOMINAL PUMP SIZE in Inches (Suc x Del)	DISCHARGE IN lps / m ³ /h							
	kW	HP	1Ph 230V	3Ph 380V		0	0,3	0,6	0,8	1,1	1,4	1,7	1,9
						0	1	2	3	4	5	6	7
TOTAL HEAD IN METRES													
FCTS-4/03M	0,37	0,5	4,6	1,6	1" x 1"	22	20,5	18,5	17	16,5	14	12	
FCTS-5/05M	0,55	0,75	5,5	2	1" x 1"	31	30	27	26	25	24	15	
FCTS-6/07M	0,75	1,0	6,4	2,5	1" x 1"	33	31,5	29,5	27,5	26	23	15	
FCTB-6/11M	1,1	1,5	8,85	2,65	1" x 1"	39	38	37	34,5	32	28	22	15 (6,3m ³ /h)
FCTB-8/15M	1,5	2,0	9,38	3,51	1" x 1"	43	42	38,5	37	33	30	25	15 (6,7m ³ /h)

PUMP MODEL	MOTOR POWER		NOMINAL PUMP SIZE in Inches (Suc x Del)	DISCHARGE IN lps / m ³ /h											
	kW	HP		0	0,6	0,8	1,1	1,4	1,7	1,9	2,2	2,5	2,8	2,5	
				0	2	3	4	5	6	7	8	9	10	11	
TOTAL HEAD IN METRES															
FCTB-7/11M	1,1	1,5	1¼" x 1"	34	33	32	30,5	29	28	27	25	24	23	20	

PERFORMANCE CURVES



PERFORMANCE CHARTS

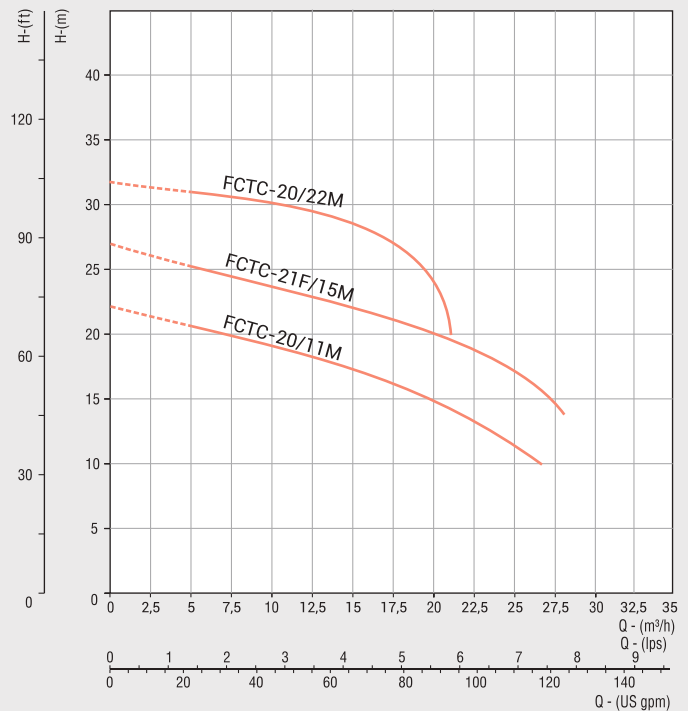
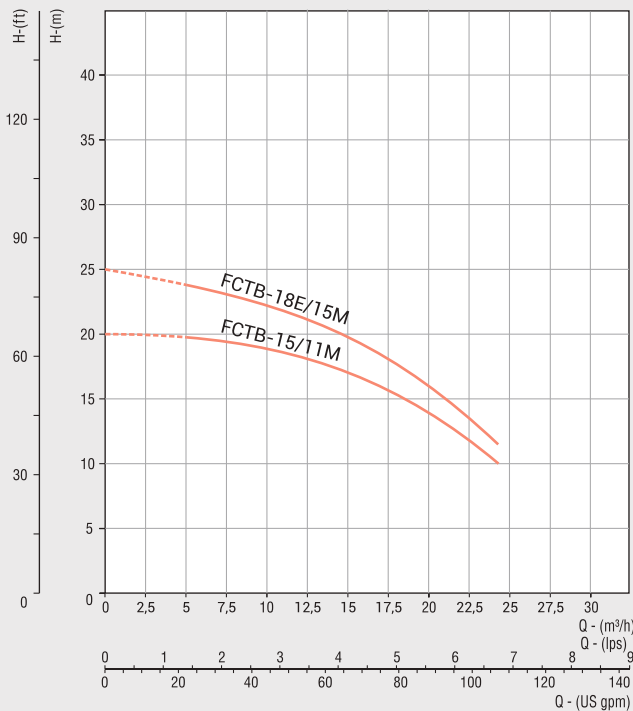
FCT SERIES

PUMP MODEL	MOTOR POWER		RATED CURRENT(A)		NOMINAL PUMP SIZE in Inches (Suc x Del)	DISCHARGE IN lps / m ³ /h							
	kW	HP	1Ph 230V	3Ph 380V		0	1,4	2,1	2,8	3,5	4,2	5,6	6,7
						0	5	7,5	10	12,5	15	20	24
TOTAL HEAD IN METRES													
FCTB-15/11M	1,1	1,5	7,5	2,8	2" x 2"	20	20	19,5	18,5	18	17,5	14	10
FCTB-18E/15M	1,5	2,0	11	4	2" x 2"	25	24	23	22	21	20	16	11,5

PUMP MODEL	MOTOR POWER		RATED CURRENT(A)		NOMINAL PUMP SIZE in Inches (Suc x Del)	DISCHARGE IN lps / m ³ /h										
	kW	HP	1Ph 230V	3Ph 380V		0	2,8	3,3	3,9	4,4	5	5,6	6,1	6,7	7,2	7,8
						0	10	12	14	16	18	20	22	24	26	28
TOTAL HEAD IN METRES																
FCTC-20/11M*	1,1	1,5	9,5	3	2" x 1½"	22	19,2	18	17,7	17	16	15	13,6	12,5	10,4	-
FCTC-21F/15M*	1,5	2,0	12,5	4	2" x 2"	27	23,8	23	22,5	22	21	20	19	17,5	16	14
FCTC-20/22M*	2,2	3,0	18	5,2	2" x 2"	32	30	29,5	28,5	27,5	26	24	20 (21m ³ /h)			

* Flange type Connection

PERFORMANCE CURVES



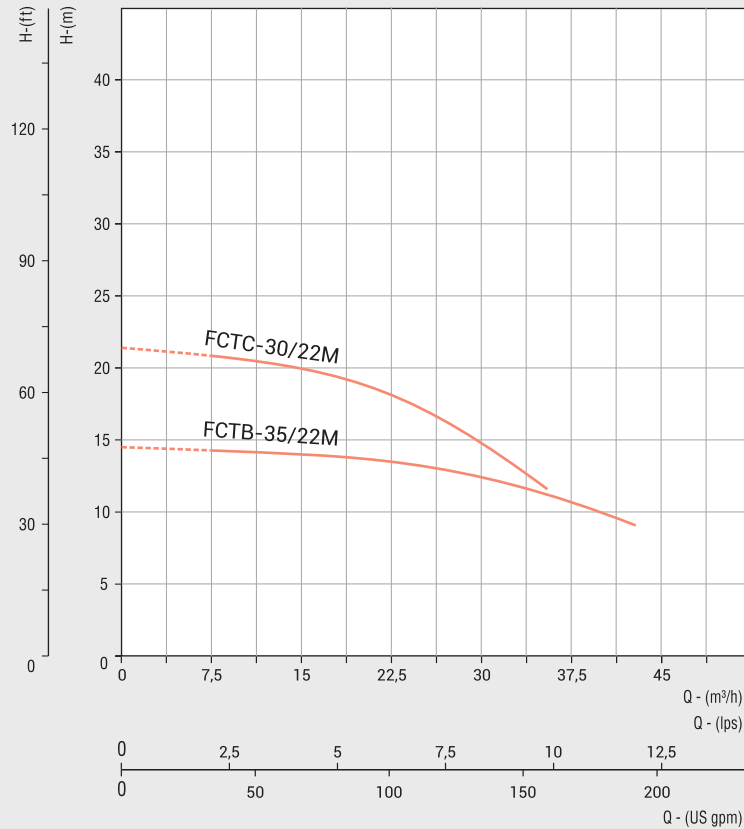
PERFORMANCE CHART

FCT SERIES

PUMP MODEL	MOTOR POWER		RATED CURRENT (A)		NOMINAL PUMP SIZE in Inches (Suc x Del)	DISCHARGE IN lps / m ³ /h								
	kW	HP	1Ph 230V	3Ph 380V		0	2,8	4,17	5,56	6,94	8,33	9,72	11,11	12,5
						0	10	15	20	25	30	35	40	45
TOTAL HEAD IN METRES														
FCTC-30/22M*	2,2	3,0	18	5,2	2½" x 2"	22	21	20	18,5	17,5	15	13	12 (36m ³ /h)	
FCTB-35/22M	2,2	3,0	14	5,5	3" x 3"	14,5	14	14	13,5	13	12,5	11,5	10	9 (42m ³ /h)

* Flange type Connection

PERFORMANCE CURVES

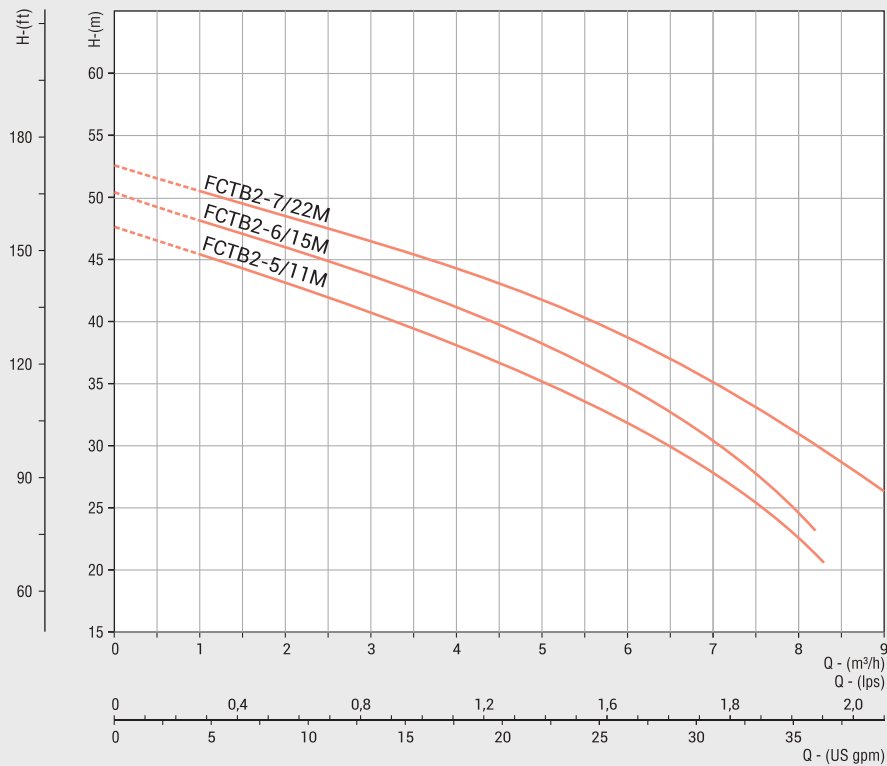


PERFORMANCE CHART

FCT SERIES - TWIN IMPELLER

PUMP MODEL	MOTOR POWER		RATED CURRENT(A)		NOMINAL PUMP SIZE in Inches (Suc x Del)	DISCHARGE IN lps / m ³ /h								
	kW	HP	1Ph 230V	3Ph 380V		0	0.6	0.8	1.1	1.4	1.7	1.9	2.2	2.5
						0	2	3	4	5	6	7	8	9
TOTAL HEAD IN METRES														
FCTB2-5/11M	1,1	1,5	8,32	2,65	1¼" x 1"	47,5	43	41	38	35,5	32	27,5	22	
FCTB2-6/15M	1,5	2	10,13	4,2	1¼" x 1"	50,5	47	43	41	38	35	30	25	
FCTB2-7/22M	2,2	3	13,43	5,2	1¼" x 1"	52,5	48,5	46	44	42	38,5	35	31	26

PERFORMANCE CURVES



DIMENSIONAL DATA

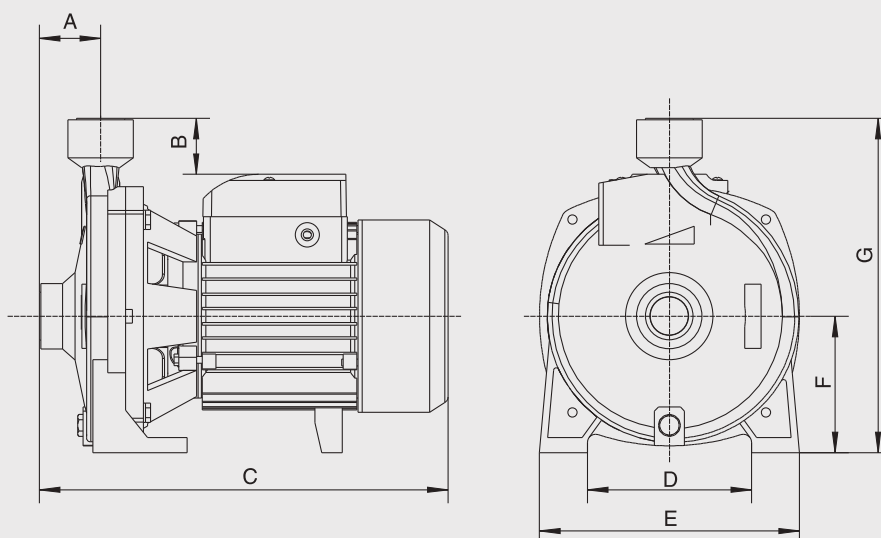
FCT SERIES

PUMP MODEL	MOTOR POWER		A	B	C	D	E	F	G	APPROX. NETT WT in kg
	kW	HP								
FCTS-4/03M	0,37	0,5	46	20	285	113	150	84	207	9,5
FCTS-5/05M	0,55	0,75	48	27	320	140	182	100	240	15
FCTS-6/07M	0,75	1,0	48	27	320	140	182	100	240	15,5
FCTB-6/11M	1,1	1,5	44	46	352	180	220	115	284	21,5
FCTB-7/11M	1,1	1,5	50	25	302	140	200	105	255	19
FCTB-8/15M	1,5	2,0	44	46	363	180	220	115	284	22,5
FCTB-15/11M	1,1	1,5	60	20	375	160	207	112	159	22
FCTB-18E/15M	1,5	2,0	57	44	385	135	182	107	218	23
FCTC-20/11M*	1,1	1,5	65	-	405	110	200	108	265	26
FCTC-21F/15M*	1,5	2,0	70	-	430	104	200	108	270	28,6
FCTC-20/22M*	2,2	3,0	67	-	464	176	232	121	299	38,4
FCTC-30/22M*	2,2	3,0	68	65	435	190	240	120	312	30
FCTB-35/22M	2,2	3,0	68	-	434	190	240	120	315	40
FCTB2-5/11M	1,1	1,5	81	20	387	170	210	117	264	21,5
FCTB2-6/15M	1,5	2,0	81	20	387	170	210	117	264	22,5
FCTB2-7/22M	2,2	3,0	90	38	450	190	240	135	300	30,5

* Flange type Connection

* All Dimensions are in mm.

DIMENSIONAL DRAWINGS



STAINLESS STEEL CENTRIFUGAL PUMPS

FCTSS SERIES



SPECIFICATIONS

Power Range	: Upto - 3,0kW
Speed	: 2900 rpm
Degree of Protection	: IP 54 / IP 55
Class of Insulation	: 'B' / 'F'
Versions	: Single phase - 230V, 50Hz, A.C. Supply (Permanent split capacitor-PSC) Three phase - 380-415V, 50Hz A.C. supply
Direction of Rotation	: Clockwise viewed from driving end
Type of Duty	: S1 (Continuous)
Nominal Suction Size	: Upto 50mm
Nominal Delivery Size	: Upto 50mm

MATERIALS OF CONSTRUCTION

Pump Casing	: S.S 304
Motor Frame	: Aluminium
Impeller	: S.S 304
Shaft	: S.S 304 / Carbon Steel
Sealing	: Mechanical Seal (Carbon & Ceramic)

PUMP OPERATING LIMITS

Maximum Head	: Upto 35,5m
Maximum Suction Lift	: Upto 7m
Maximum Liquid Temperature	: Upto 40°C
Maximum Ambient Temperature	: Upto 50°C

FEATURES

- High Operating efficiency resulting in lower power consumption.
- Dynamically balanced rotating parts.
- Inbuilt thermal overload protector in all single phase pumps.
- Complete SS construction more suitable for potable water.

APPLICATIONS

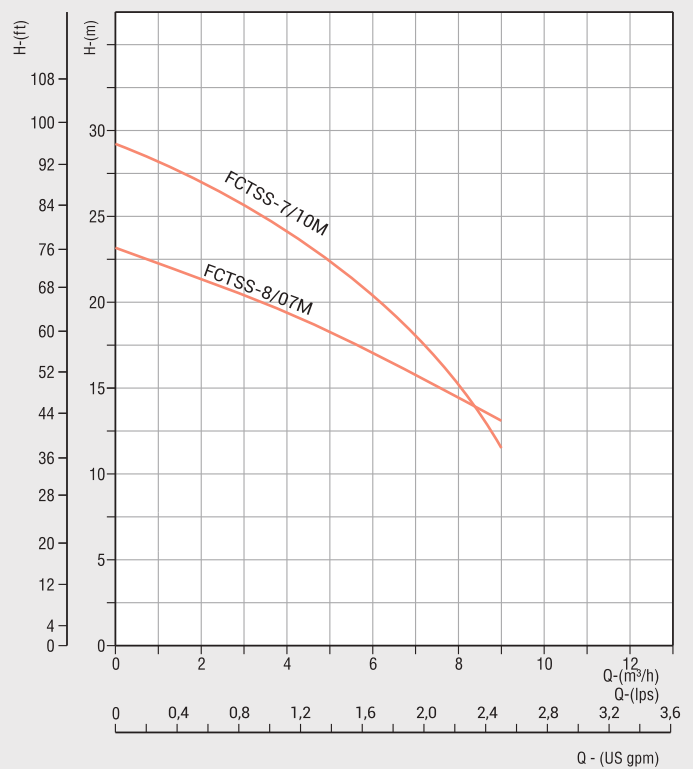
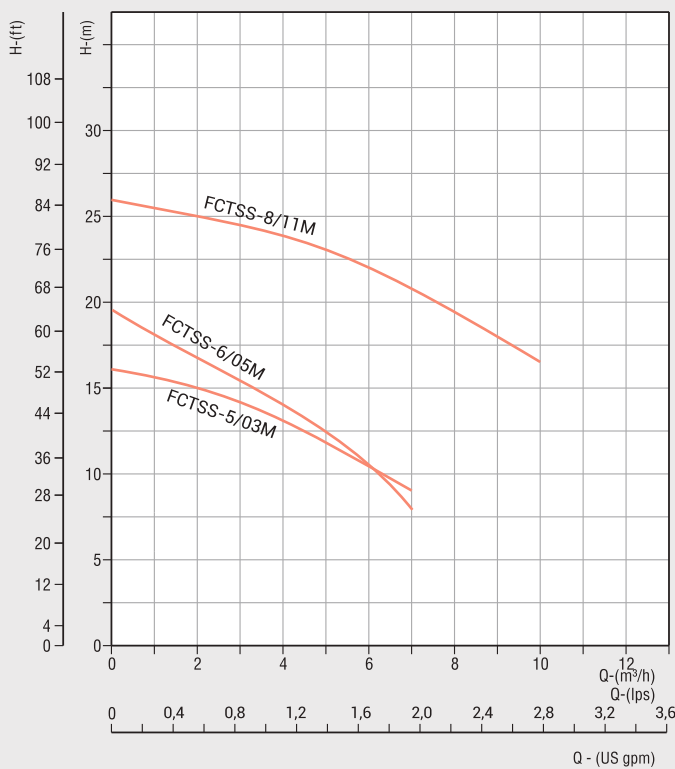
Residential, Irrigation, Small Farms, Pressure Boosting Units, Utility supply in Industrial, Food Processing Industries, Washing Systems.

PERFORMANCE CHART

FCTSS SERIES

PUMP MODEL		MOTOR POWER		RATED CURRENT(A)		NOMINAL PUMP SIZE in Inches (Suc x Del)	DISCHARGE IN lps / m ³ /h										
							0	0,27	0,55	0,83	1,1	1,3	1,6	1,9	2,2	2,5	2,9
230V	380V	kW	HP	1Ph 230V	3Ph 380V		0	1	2	3	4	5	6	7	8	9	10
TOTAL HEAD IN METRES																	
FCTSS-5/03M	FCTSS-5/03T	0,37	0,5	2,4	-	1 ¼" x 1"	16	15,5	15	14,5	13	11,5	10,5	9			
FCTSS-6/05M	FCTSS-6/05T	0,55	0,75	3,8	1,4	1 ¼" x 1"	19,5	18	17	15,5	13,5	12,5	11	8			
FCTSS-8/07M	FCTSS-8/07T	0,75	1,0	5,2	1,8	1 ¼" x 1"	23	22	21,5	20,5	19,5	18	17	16	14,5	13	
FCTSS-7/10M	FCTSS-7/10T	1,0	1,3	6,2	2,4	1 ¼" x 1"	29	28	26,5	25,5	24	22,5	20,5	18,5	15,5	11,5	
FCTSS-8/11M	FCTSS-8/11T	1,1	1,5	7	2,6	1 ¼" x 1"	26,5	26	25,5	25	24,5	23,5	22	20,5	19,5	18	17

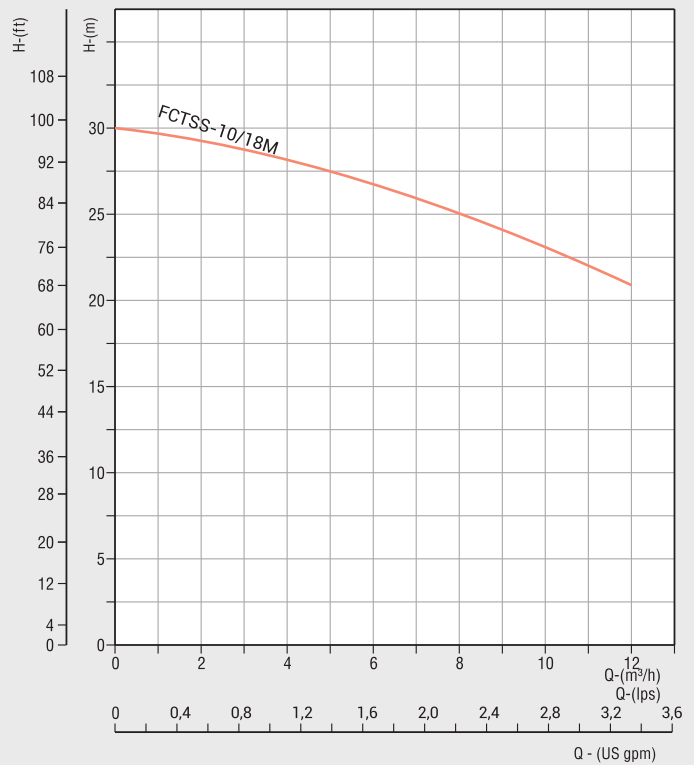
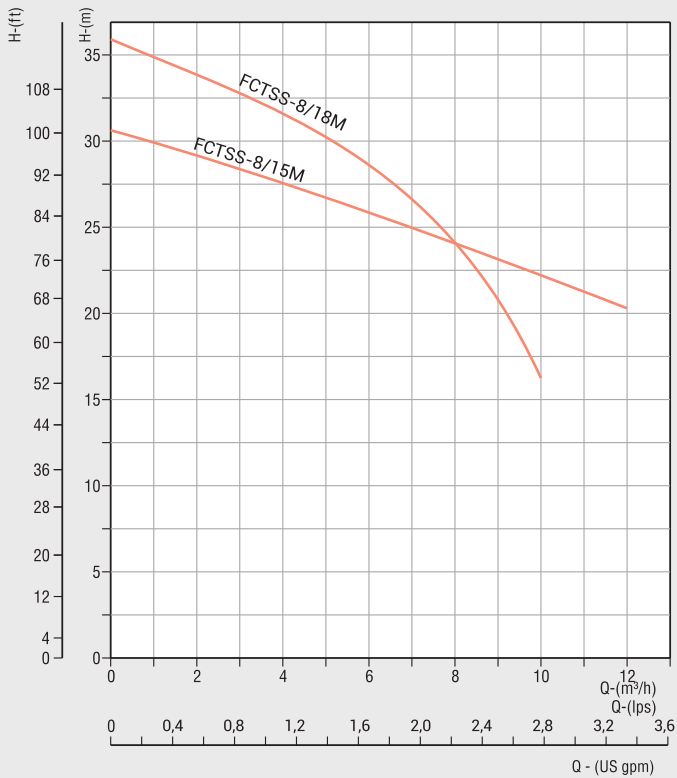
PERFORMANCE CURVES



PERFORMANCE CHART FCTSS SERIES

PUMP MODEL		MOTOR POWER		RATED CURRENT(A)		NOMINAL PUMP SIZE in Inches (Suc x Del)	DISCHARGE IN lps / m ³ /h											
							0	0,27	0,55	0,83	1,1	1,3	1,6	1,9	2,2	2,5	2,9	3,3
230V	380V	kW	HP	1Ph 230V	3Ph 380V		0	1	2	3	4	5	6	7	8	9	10	12
							TOTAL HEAD IN METRES											
FCTSS-8/15M	FCTSS-8/15T	1,5	2,0	9,2	3,5	1¼" x 1"	31	30	29	28,5	27,5	27	26	25	24,5	23	22	20,5
FCTSS-8/18M	FCTSS-8/18T	1,8	2,5	13	4,1	1¼" x 1"	36,5	35	34	33	32	30	28,5	27	24	20,5	16,5	
FCTSS-10/18M	FCTSS-10/18T	1,8	2,5	13	4,1	1¼" x 1"	30	29,5	29	28,5	28	27,5	27	26	25	24	23	21

PERFORMANCE CURVES

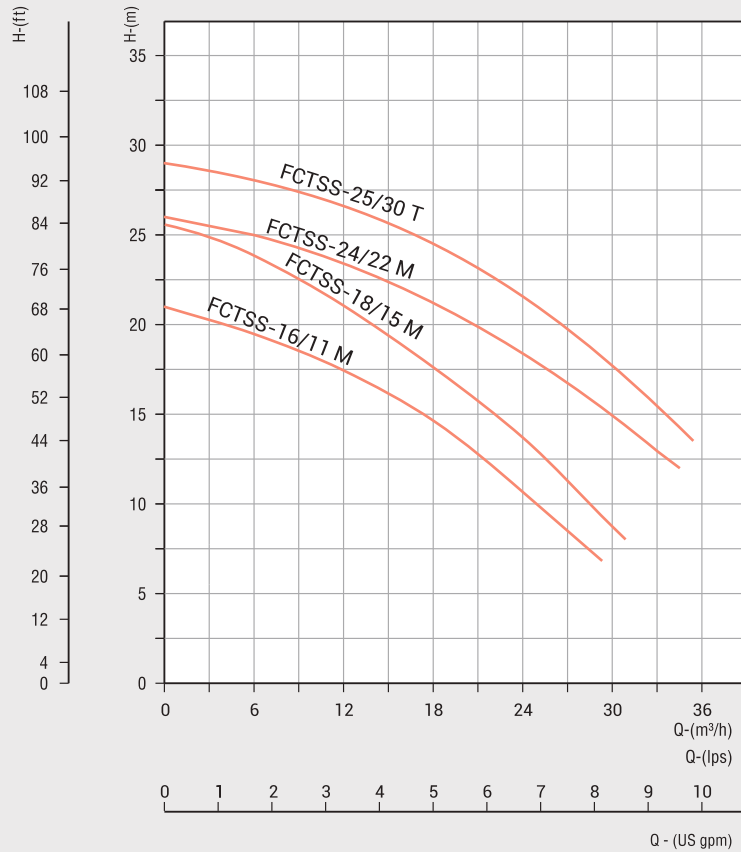


PERFORMANCE CHART

FCTSS SERIES

PUMP MODEL		MOTOR POWER		RATED CURRENT (A)		NOMINAL PUMP SIZE in Inches (Suc x Del)	DISCHARGE IN lps / m ³ /h												
							0	0.8	1.7	2.5	3.3	4.2	5.0	5.8	6.7	7.5	8.3	9.2	10
230V	380V	kW	HP	1Ph 230V	3Ph 380V		TOTAL HEAD IN METRES												
				0	3		6	9	12	15	18	21	24	27	30	33	36		
FCTSS-16/11M	FCTSS-16/11T	1,1	1,5	7	2,6	2" x 2"	21	20	19	18,5	17,5	16,5	14,5	13	11	8,5	7 (29m ³ /h)		
FCTSS-18/15M	FCTSS-18/15T	1,5	2,0	9,2	3,5	2" x 2"	25,5	25	23,5	22,5	21	19	17,5	16	13,5	11	8,5	8 (31m ³ /h)	
FCTSS-24/22M	FCTSS-24/22T	2,2	3,0	14	4,9	2" x 2"	26	25,5	25	24,5	23,5	22,5	21,5	20	18,5	17	15	13	12 (34m ³ /h)
-	FCTSS-25/30T	3,0	4,0	-	6,3	2" x 2"	29	28,5	28	27,5	26,5	25,5	24,5	23	22	20	17,5	15,5	13,5 (35m ³ /h)

PERFORMANCE CURVES



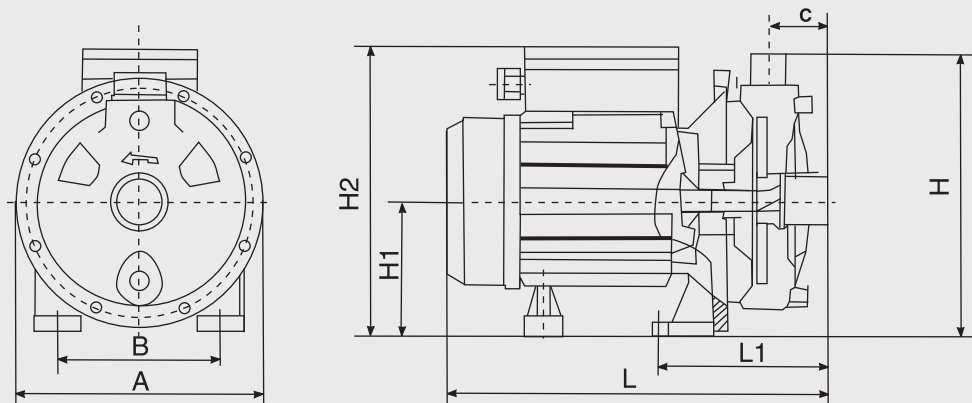
DIMENSIONAL DATA

FCTSS SERIES

PUMP MODEL		MOTOR POWER		A	B	C	H	H1	H2	L	L1	APPROX. NETT WT in kg
230V	380V	kW	HP									
FCTSS-5/03M	FCTSS-5/03T	0,37	0,5	170	100	50	180	84	186	270	120	6,5
FCTSS-6/05M	FCTSS-6/05T	0,55	0,75	213	140	47	222	110	242	313	138	12,5
FCTSS-8/07M	FCTSS-8/07T	0,75	1,0	213	140	47	222	110	242	313	138	13,5
FCTSS-7/10M	FCTSS-7/10T	1,0	1,3	213	140	47	222	110	242	313	138	15,5
FCTSS-8/11M	FCTSS-8/11T	1,1	1,5	213	140	47	222	110	242	313	138	15,5
FCTSS-8/15M	FCTSS-8/15T	1,5	2,0	234	150	49	240	120	251	337	140	18,5
FCTSS-8/18M	FCTSS-8/18T	1,8	2,5	234	150	49	240	120	251	337	140	22,0
FCTSS-10/18M	FCTSS-10/18T	1,8	2,5	231	140	47	222	110	255	366	138	21,5

* All Dimensions are in mm.

DIMENSIONAL DRAWINGS



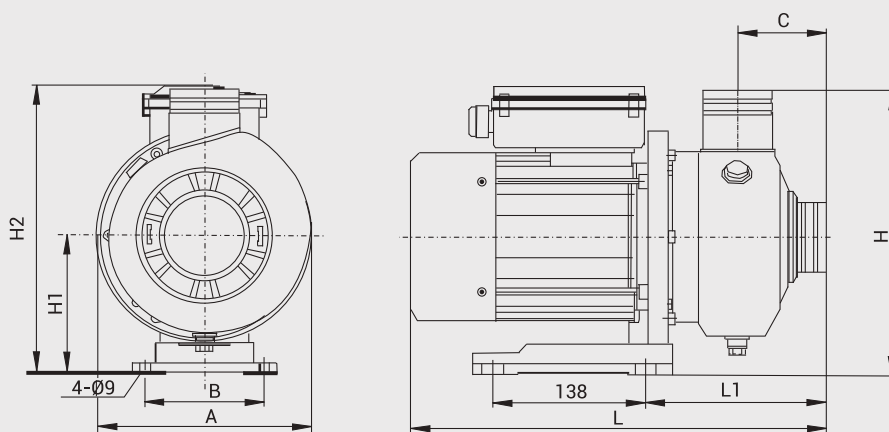
DIMENSIONAL DATA

FCTSS SERIES

PUMP MODEL		MOTOR POWER		A	B	C	H	H1	H2		L	L1	APPROX. NETT WT in kg
230V	380V	kW	HP						1Ph	3Ph			
FCTSS-16/11M	FCTSS-16/11T	1,1	1,5	193	108	82	258	125	265	235	378	165	16,5
FCTSS-18/15M	FCTSS-18/15T	1,5	2,0	193	108	82	258	125	265	235	378	165	18
FCTSS-24/22M	FCTSS-24/22T	2,2	3,0	193	108	82	258	125	242	242	415	165	22
-	FCTSS-25/30T	3,0	4,0	193	108	82	258	125	-	242	432	165	23

* All Dimensions are in mm.

DIMENSIONAL DRAWINGS



STAINLESS STEEL SELF-PRIMING JET PUMPS

FJT SERIES

SPECIFICATIONS

Power Range	: FJTS : 0,37 kW - 1,1 kW FJT B : 0,45 kW - 1,5 kW
Speed	: 2900 rpm
Degree of Protection	: FJT B : IP 44 FJTS : IP 54 / IP 55 (Optional)
Class of insulation	: "B" / "F"
Versions	: Single phase - 230V, 50Hz A.C. supply (Permanent Split Capacitor-PSC) Incorporated with thermal overload protector Three phase - 380-415V, 50Hz A.C. supply
Type of Duty	: S1 (Continuous)
Nominal Suction Size	: Upto 32mm
Nominal Delivery Size	: Upto 25mm



MATERIALS OF CONSTRUCTION

	FJTS	FJT B
Pump Casing	: S.S 304	Cast Iron
Motor Frame	: Aluminum	Aluminum
Impeller	: S.S 304	Bronze / Brass / Aluminium*
Shaft	: S.S 304	S.S 304
Mechanical Seal	: Carbon & Ceramic	Carbon & Ceramic

PUMP OPERATING LIMITS

Maximum Head	: Upto 48m
Maximum Suction lift	: Upto 7m
Maximum liquid Temperature	: Upto 40°C
Maximum Ambient Temperature	: Upto 50°C

FEATURES

- High operating efficiency resulting in lower power consumption.
- Dynamically balanced rotating parts.
- Inbuilt thermal overload protector in all single phase pumps.
- Quiet Running
- FJTS pumps are with stainless steel pump parts-more suitable for potable water.

APPLICATIONS

Residential, Irrigation, Small Farms, Pressure Boosting Units, Utility water supply in Industries, Food Processing Industries.

* For Aluminium impeller pump models the fourth digit of the model name will be replaced with "A".

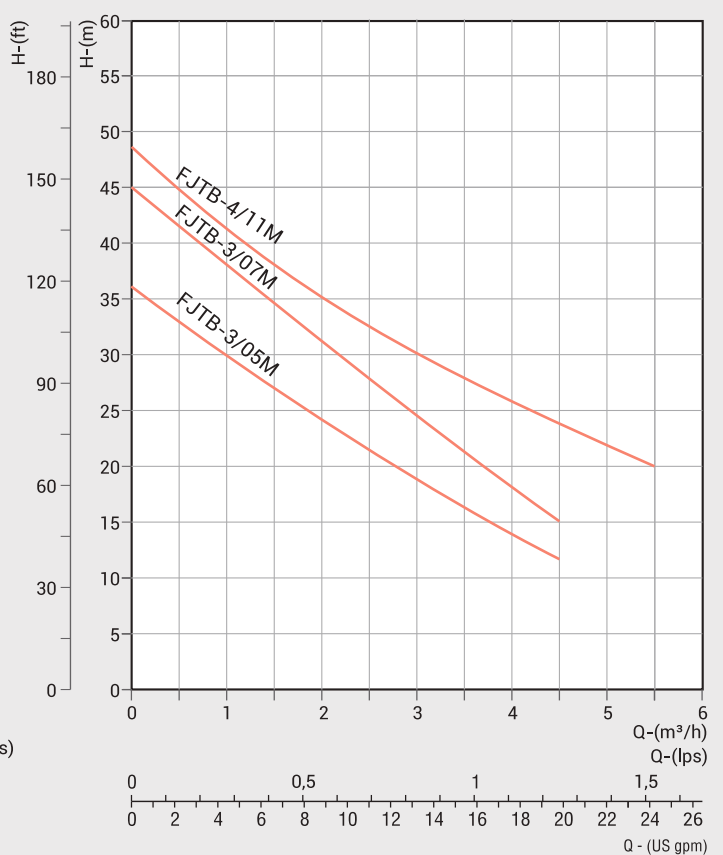
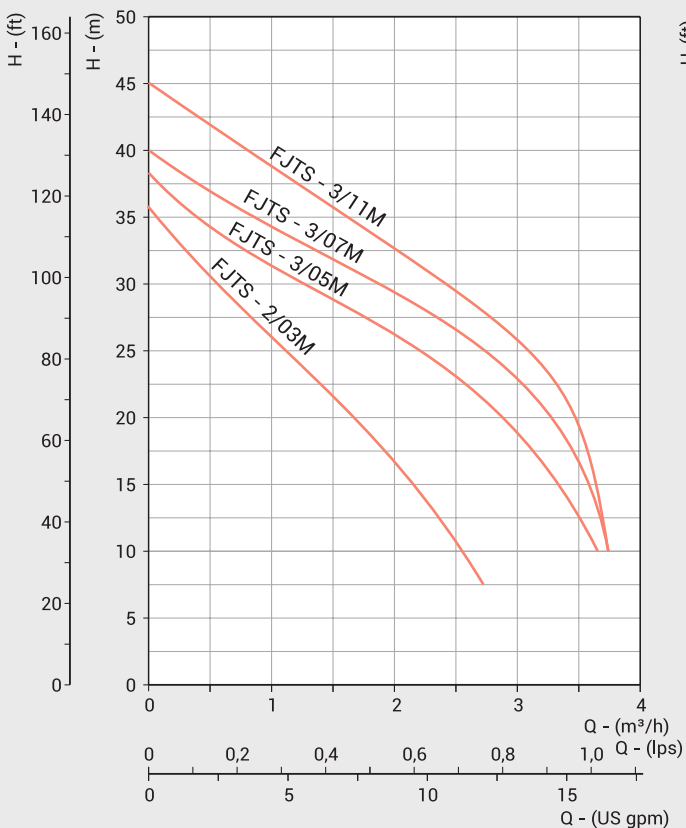
PERFORMANCE CHART

FJT SERIES

PUMP MODEL		MOTOR POWER		RATED CURRENT(A)		NOMINAL PUMP SIZE in Inches (Suc x Del)	DISCHARGE IN lps / m ³ /h								
							0	0,1	0,3	0,4	0,6	0,7	0,8	1,0	1,04
230V	380V	kW	HP	1Ph 230V	3Ph 380V	TOTAL HEAD IN METRES									
FJTS-2/03M	FJTS-2/03T	0,37	0,5	3,1	0,93	1" x 1"	36	31	26,5	21,5	17	11	7 (2,75m ³ /h)	-	-
FJTS-3/05M	FJTS-3/05T	0,55	0,75	4,3	1,49	1" x 1"	38	34	31,5	28,5	26,5	23	18,5	12,5	10 (3,7m ³ /h)
FJTS-3/07M	FJTS-3/07T	0,75	1,0	4,5	1,63	1" x 1"	40	37	34	32	29	26,5	23	17	10
FJTS-3/11M	FJTS-3/11T	1,1	1,5	5,3	2,65	1" x 1"	45	42	38,5	36	32,5	29,5	26,5	19,5	10

PUMP MODEL		MOTOR POWER		RATED CURRENT(A)		NOMINAL PUMP SIZE in Inches (Suc x Del)	DISCHARGE IN lps / m ³ /h						
							0	0,3	0,6	0,8	1,1	1,4	1,6
230V	380V	kW	HP	1Ph 230V	3Ph 380V	TOTAL HEAD IN METRES							
FJTB-3/05M	FJTB-3/05T	0,55	0,75	4,6	1	1" x 1"	36	32	24	19	14	12 (4,5m ³ /h)	-
FJTB-3/07M	FJTB-3/07T	0,75	1	5	1.6	1" x 1"	45	38	31,5	24,5	18	15 (4,5m ³ /h)	-
FJTB-4/11M	FJTB-4/11T	1,1	1,5	7,5	2	1¼" x 1"	48	41,5	35	30	26	22	20 (5,5m ³ /h)

DIMENSIONAL DRAWINGS

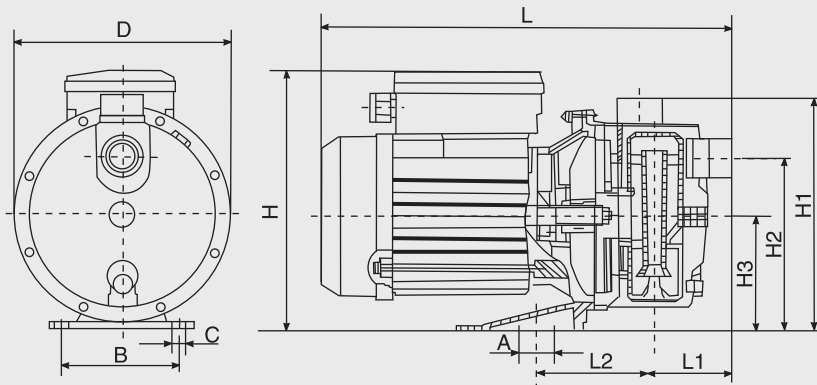


DIMENSIONAL DETAILS

FJTS SERIES

PUMP MODEL		MOTOR POWER		DND	DNS	A	B	C	D	H	H1	H2	H3	L	L1	L2	APPROX. NETT WT in kg
230V	380V	kW	HP														
FJTS-2/03M	FJTS-2/03T	0,37	0,5	1"	1"	7	160	8	196	218	206	161	105	380	88	109	9
FJTS-3/05M	FJTS-3/05T	0,55	0,75	1"	1"	20	160	8	196	218	206	161	105	380	80	80	10
FJTS-3/07M	FJTS-3/07T	0,75	1,0	1¼"	1"	20	160	8	196	218	206	161	105	380	80	80	11
FJTS-3/11M	FJTS-3/11T	1,1	1,5	1¼"	1"	-	160	8	196	218	206	161	105	380	97	-	11,5

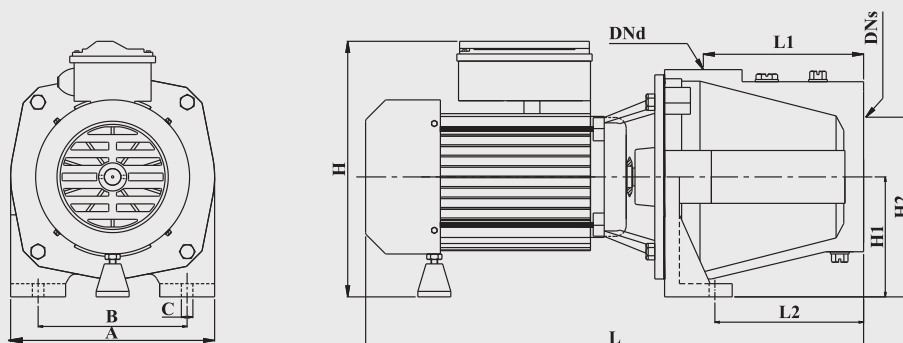
* All Dimensions are in mm.



FJTB SERIES

PUMP MODEL		MOTOR POWER		DND	DNS	DIMENSIONS IN mm									APPROX. NETT WT in kg
230V	380V	kW	HP			L	L1	L2	A	B	C	H1	H2	H	
FJTB-3/05M	FJTB-3/05T	0,55	0,75	1"	1"	440	140	235	181	140	10	100	158	213	15
FJTB-3/07M	FJTB-3/07T	0,75	1	1"	1"	395	112,5	133	182	142	10	97	152,5	210	15,5
FJTB-4/11M	FJTB-4/11T	1,1	1,5	1¼"	1"	395	112,5	133	182	142	10	97	152,5	210	16,5

* All Dimensions are in mm.

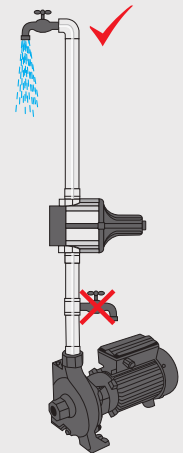


ELECTRONIC PRESSURE CONTROLLER

FPV & FPH SERIES

FEATURES

- Sets free from operating the pump.
- Ensures uninterrupted water supply with adequate pressure.
- Saves electricity & time.
- Protects pump from dry running & back flow of water.
- FPV models are supplied with inbuilt pressure gauge.
- Colourful LED's to indicate various functions.
- Designed for easy installation.



IDENTIFICATION CODE

F	FIPS
P	Pressure control
V/H	Vertical (V) / Horizontal (H)
3	Upto 3,0 bar
A / N / S Optional	Adjustable / New Model / 60Hz

TECHNICAL DATA

Ambient Temperature	Maximum + 60 C
Liquid Temperature	Maximum + 60 C
Cut in Pressure	FPH 15, FPV 15 : 1,5 bar FPH22 : 2,2 bar, FPV 3A (1,5 to 3,0 bar)
System Pressure	Maximum 10 bar
Supply voltage	220 / 240 V
Frequency	50 / 60 Hz
Maximum Current	10 Amps
Enclosure Class	IP 65

FPV-15
FPV-3A



FPV-15N



FPH-15
FPH-22



APPLICATION

It can be used for all kinds of small domestic pumps installed in apartments, houses, villas, gardens etc.,



FABBRICA ITALIANA POMPE SOMMERSIBILI S.r.l.

Via dell' Artigianato, 16 - 20090 Pieve Emanuele (MI) - Italy

Tel. (+39) 02 8258923 - 02 57510371 Fax 02 57512095

E-mail: info@fips-pumps.it | www.zirantec.com

FIPS MIDDLE EAST (FZC)

(A Subsidiary of Fabbrica Italiana Pompe Sommersibili S.r.l - Italy)

SAIF - ZONE, Sharjah, UAE, Tel : +971 - 564060250

E-mail: info@fips-pumps.it | www.zirantec.com